

# i-dose®

Floor cleaning system

## User manual



**i-team Professional b.v.**

Hoppenkuil 27b, 5626 DD Eindhoven, The Netherlands

Telephone: +31402662400

Email: [hello@i-teamglobal.com](mailto:hello@i-teamglobal.com)

Internet: [www.i-teamglobal.com](http://www.i-teamglobal.com)





Original user manual, written in the English Language

---

Future Cleaning Technologies B.V.

Hoppenkuil 27b, 5626 DD Eindhoven, The Netherlands

---

Telephone: +31402662400

Email: [hello@i-teamglobal.com](mailto:hello@i-teamglobal.com)

Internet: [www.i-teamglobal.com](http://www.i-teamglobal.com)

---

Model: i-dose starter kit XL

Date: 22/10/2020

Product code: K1.P.72.0081.2

Version: v.1.0



## Preface

Thank you for purchasing i-dose®. The i-dose cleaning pods have been especially designed to use with the i-mop® floor scrubber. The i-dose's modular dispensing is your key to speed. Freed from frequent trips to the supply closet, you can refill on-the-go. All of your essential cleaning formulas are literally at your fingertips.

i-dose is easy to use when you follow the instructions. Please read the user manual carefully. Become familiar with the correct operation and maintenance procedures. Store the manual in a safe place. The manual is an essential part of the i-dose system and must be handed over to the new owner upon resale or exchange.

When this manual refers to “the manufacturer” this means: Future Cleaning Technologies B.V., an affiliate company of i-team in Eindhoven, the Netherlands. When this manual mentions “the partner” your local i-team resell and support service partner is referred to.

## Purpose of the user manual

The purpose of the user manual is to provide the user with information during the life of the i-dose system in such a way that the i-dose system is used correctly, efficiently and safely, even in the event of reasonably foreseeable misuse.

The user manual contains instructions regarding:

- personal operator safety;
- intended and non-intended use of the i-dose system;
- instructions for daily use;
- maintenance instructions;
- storage conditions;
- disposal of the i-dose system.

These instructions must be considered to avoid risks that could lead to physical and/or material damage.

## Target audience

This user manual is intended for operators of the i-dose system and their supervisors, as well as partners and importers.

## Operators of the i-dose



The i-dose system may only be operated by a person who:

- has correctly read and understood the instructions in this manual;
- is trained by an experienced operator who has read and understood the instructions in this manual.



## Reading guide

The following symbols and terms are used throughout this manual to alert the reader to safety issues and important information:

Symbol	Term	Explanation
	WARNING	Indicates a hazardous situation which, if the safety instructions are not followed, can lead to injuries of the operator or bystanders, light and/or moderate damage to the product or the environment.
	ATTENTION	Indicates a liability situation, where the manufacturer or its partners and affiliates cannot be held accountable for damages caused by non-compliance.



# Content

Preface.....	3
Purpose of the user manual .....	3
Target audience .....	3
Operators of the i-dose.....	3
Reading guide .....	4
1 Introduction .....	7
1.1 Intended use of the product.....	7
1.2 Non-intended use of the product.....	7
1.3 Lifespan .....	7
1.4 Modifications.....	7
1.5 Specifications.....	8
1.6 Warranty.....	8
2 Description.....	9
2.1 i-dose® sleeves with cleaning pods.....	10
2.2 Variety pack .....	11
2.3 Different types of cleaning agent .....	11
3 Safety .....	12
3.1 General Safety Instructions.....	12
3.1.1 The pods and chemicals.....	12
3.1.2 The injector .....	12
3.2 Risks during operation .....	12
4 Transport and storage .....	13
5 Assembly and installation .....	14
5.1 Unboxing .....	14
5.2 Assembly.....	15
6 Operation.....	16
6.1 Exchanging the pods .....	17
6.2 Filling the solution tank.....	18
7 Maintenance .....	19
7.1 Cleaning.....	19
7.1.1 Rinsing the injector.....	19
7.1.2 Cleaning the exterior .....	19
7.2 Damaged or worn parts .....	20
7.3 Storage .....	20



8	Trouble shooting .....	21
9	Decommissioning and disposal .....	22
10	Attachments.....	23
10.1	CE Certificate .....	23



# 1 Introduction

i-dose® is an easy and safe system to use. This manual helps you get started and explains the operation and maintenance procedure.

This manual is intended for those who work with the i-dose system and perform daily maintenance. The manual must be read in full before the first actions. This manual describes the correct method of use, safety measures, maintenance and transport.

i-team continuously improves all their products based on user experience and feedback. Any deviations between the texts and/or images from the manual and your i-dose system can therefore arise from the difference in model or from possible changes due to continuous development and innovation.

## 1.1 Intended use of the product

The i-dose system is intended to clean and sanitize indoor floor surfaces in combination with the i-mop® floor scrubber family.

It is intended to be used on commercial floor surfaces.

Operation of the i-dose system must be done by an adult person.

Keep the i-dose system and the accessories clean.

Dispose of the empty i-pods in an appropriate waste container for PE plastic. See also section 9.

## 1.2 Non-intended use of the product



### **WARNING**

Non-intended use can have consequences for the safety of operators and bystanders and will void the warranty on the product.

Do not use the i-dose system in combination with any other machine than the i-mop floor scrubber families.

## 1.3 Lifespan

For a proper functioning and a long lifespan of the i-dose system, it is important to follow the recommended maintenance frequency mentioned in this manual.

## 1.4 Modifications

It is not permitted to make modifications to the design of the i-dose system without consultation and permission from the manufacturer. This affects the warranty, see section 1.6.



## 1.5 Specifications

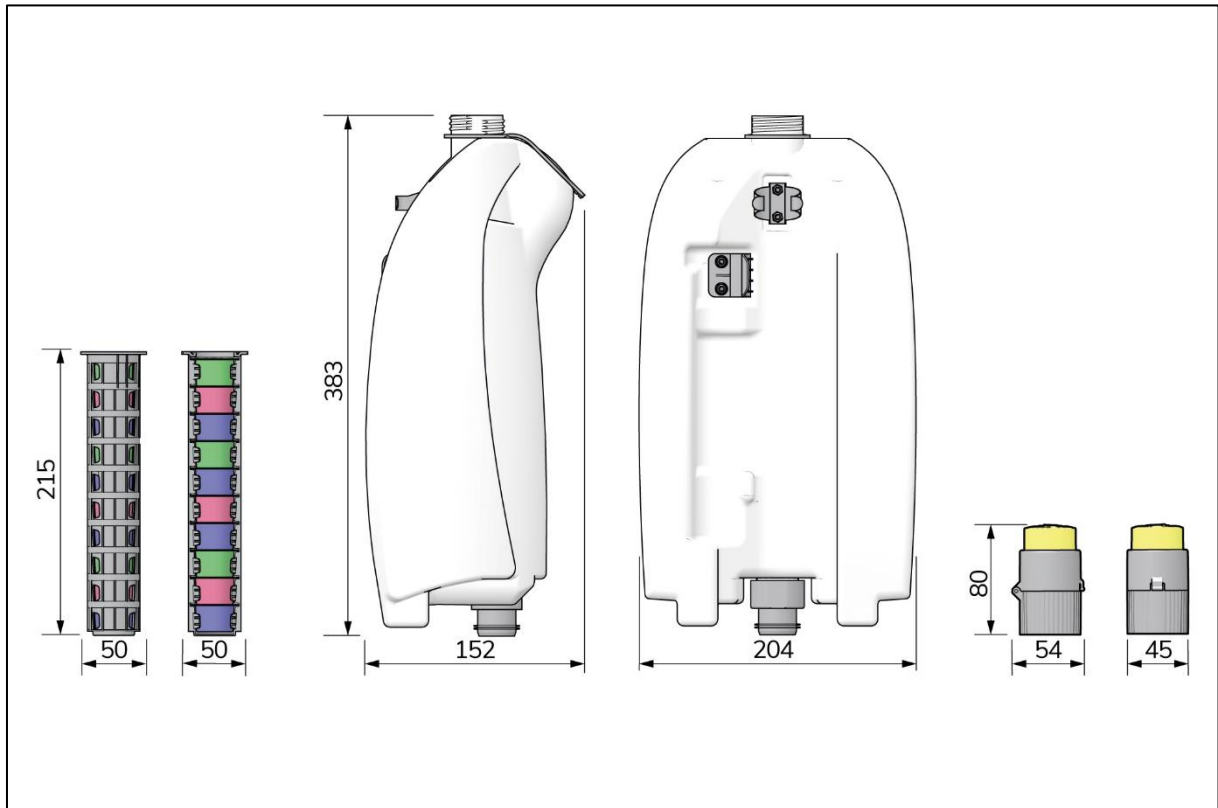


Figure 1

Product size injector (H x D):	80 x 45 mm (incl. hinge 54 mm)
Product size pods (H x D):	20,5 mm x 30 mm
Product size pod holder (L x W x H):	215 x 50 x 31.3 mm
Solution tank:	383 mm x 204 mm x 152 mm
Pod capacity:	10 ml
Effectiveness of 1 pod:	doses 3 to 5 liter water
Ingredients of fluid:	In compliance with EU regulations, Detergent Directive (EC) No 1272/2008 and Chemical Directive REACH
Storage temperature:	$\geq 0\text{ }^{\circ}\text{C}$
Shelf life:	Unopened in end use packaging: 24 months
Cleaning liquid temperature range:	$\geq 0\text{ }^{\circ}\text{C}$

## 1.6 Warranty

The i-dose® system should only be operated with the materials supplied. Using alternative supplies may cause damage to the i-dose and may cause a risk to the operator. The use of alternative supplies voids manufacturer's warranty. The warranty period is 1 year and is only valid for the injector and the solution tank.





## 2 Description

The i-dose® is an integrated floor cleaning solution that removes virtually any type of soil from any type of hard floor substrate. The cleaning pods feature HygeniQ Greenovation Technology that is available in four different variants: i-dose General Purpose Floor Cleaner, Restroom Floor Sanitizer, Kitchen Floor Degreasing Cleaner and Heavy Duty Synthetic Degreasing Cleaner.

The i-dose consists of:

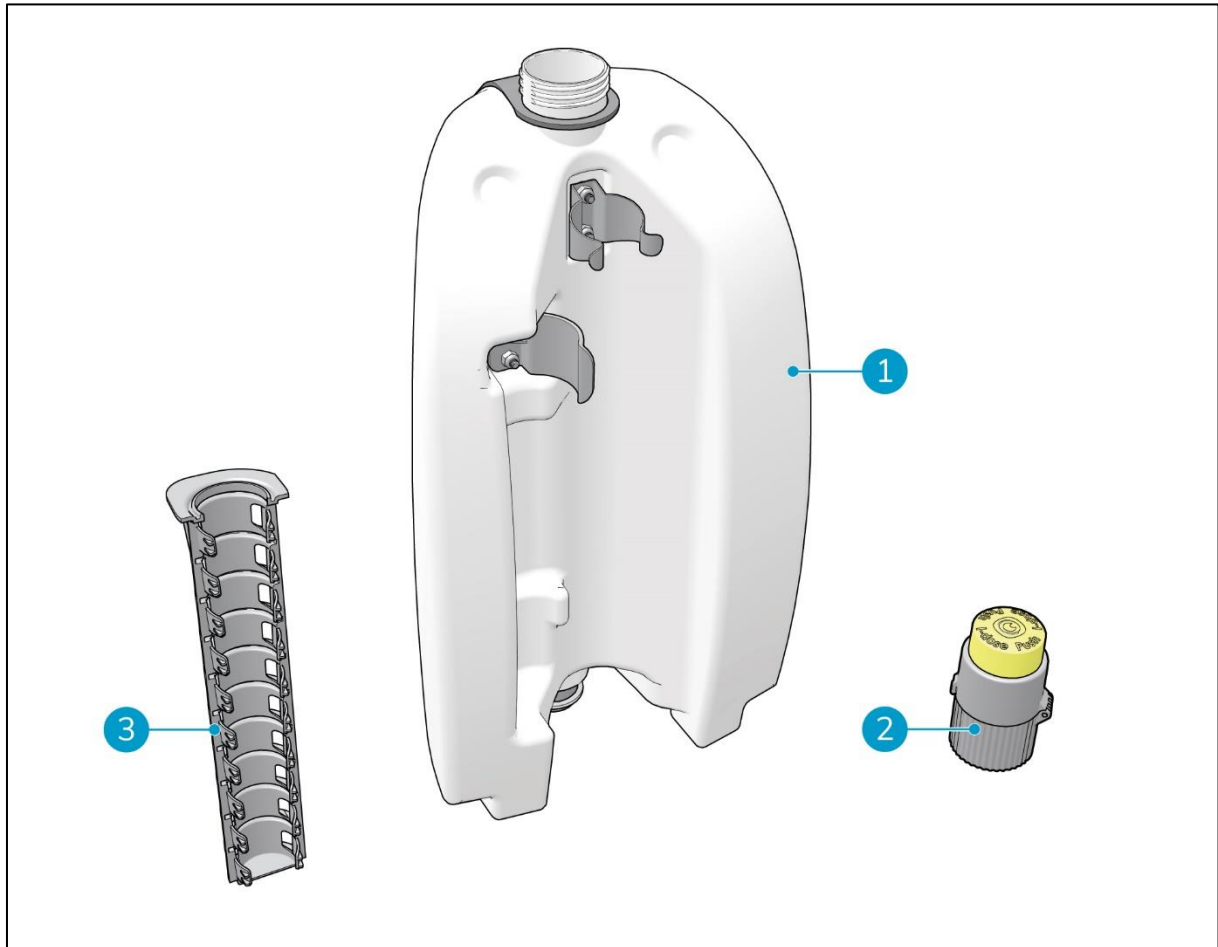


Figure 2

### Legend

- 1. An i-dose solution tank.
- 2. An injector.
- 3. A pod dispenser.



## 2.1 i-dose® sleeves with cleaning pods



Figure 3

Each package contains 120 i-dose pods. Packed in 12 sleeves, each containing 10 i-dose pods.



## 2.2 Variety pack



Figure 4

Each variety pack contains 12 sleeves, 3 sleeves per formula, each containing 10 i-dose pods. That's a total of 120 pods.

## 2.3 Different types of cleaning agent

Pod content color	Intended use
<a href="#">green colored cleaning agent</a>	kitchen floor degreaser
<a href="#">pink colored cleaning agent</a>	restroom floor sanitizer
<a href="#">blue colored cleaning agent</a>	general floor cleaner



## 3 Safety

Safety comes first, therefore please take time to read and understand these safety instructions. Improper use can cause harm or void the manufacturer's warranty.

The i-dose® system is fully made of non hazardous components to avoid occupational hazards.

The i-dose system has a fully closed loop dispersing system that prevents exposure to concentrated agents.

### 3.1 General Safety Instructions

#### 3.1.1 The pods and chemicals



##### **WARNING**

General safety rules:

- **DO NOT** puncture the pods with anything else than the injector;
- **DO NOT** mix chemicals (do not mix with a different type of chemical);
- **DO NOT** reuse the pods;
- **DO NOT** open the pods;
- **DO NOT** open the pods manually;
- **DO NOT** crush the pods;
- if disinfectant is ingested, seek medical advice immediately and show the disinfectant bottle. **DO NOT** induce vomiting;
- keep locked up and out of reach of children;
- keep away from food, drink and animal feed.

#### 3.1.2 The injector



##### **WARNING**

- **DO NOT** touch the knives inside the injector;
- **DO NOT** use any other type or brand of chemical pods other than the i-dose pods;
- **DO NOT** overtighten the injector on the tank;
- insert the pod in the correct orientation, with logo pointing upwards.

### 3.2 Risks during operation

Do not twist the top of the injector.



## 4 Transport and storage

- do not store the i-dose® system outdoors;
- do not carry the solution tank by the injector;
- store the i-dose system in a cool and dry place;
- during storage the i-dose system should be protected from frost;
- store the pods in a dark place as exposure to direct sunlight can cause color loss in the liquid;
- storage life of the pods, unopened in end use packaging, is 24 months.



## 5 Assembly and installation

The i-dose® system does not require much assembly as the injector is pre-installed on the solution tank. Only the pod dispenser needs to be installed.

### 5.1 Unboxing

The i-dose system starter kit is packed in 1 box.

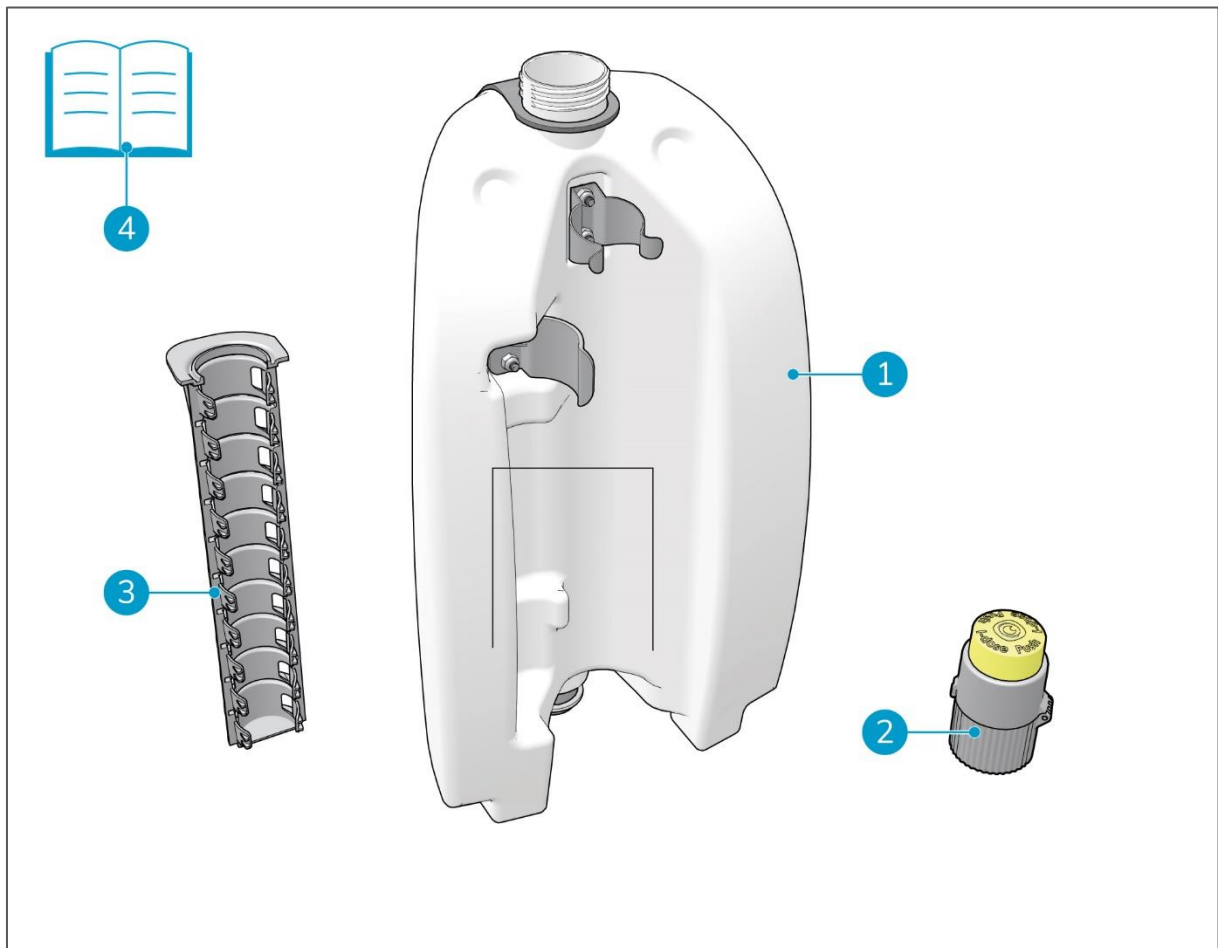


Figure 5

#### Legend

- |                     |                        |
|---------------------|------------------------|
| 1. 1x solution tank | 3. 1x pod dispenser    |
| 2. 1x injector      | 4. 1x this user manual |



## 5.2 Assembly

**TIP:**

**Assemble your own mix of pods that suit your cleaning jobs. See section 2.3 for the different types of cleaning agent.**

1. Place the pods (Figure 6, pos 1) into the pod dispenser (Figure 6, pos 2).

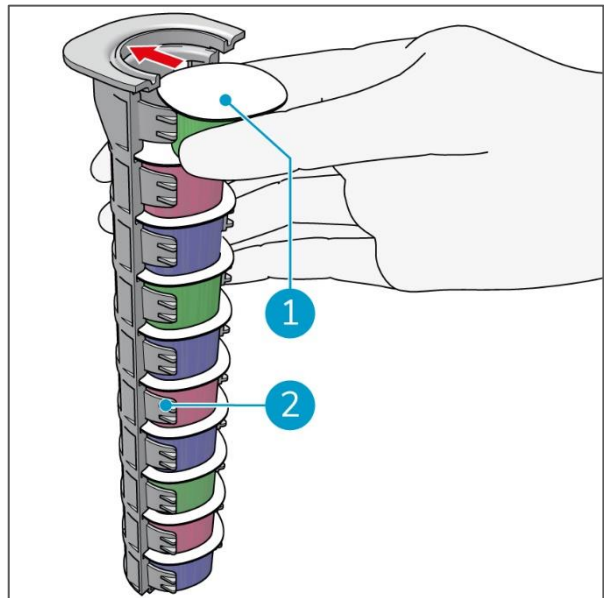


Figure 6

2. Click the pod dispenser into the clamp (Figure 7, pos 1) of the solution tank.



Figure 7



## 6 Operation



### ATTENTION

- The i-dose system is only intended to be used in combination with the i-mop® floor scrubber family;
- Always place the pod with logo pointing upwards.

1. Fill the solution tank (Figure 8, pos 1) with tap water.

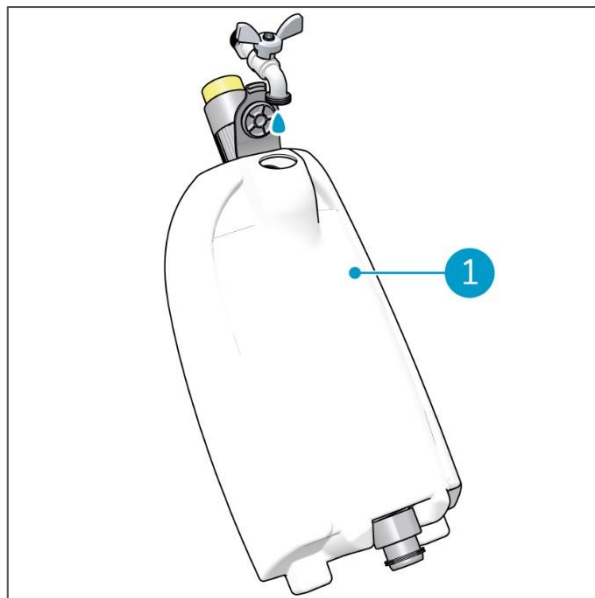


Figure 8

2. Attach the solution tank (Figure 9, pos 2) to the i-mop® (Figure 9, pos 1).
3. Ensure that the injector (Figure 9, pos 3) is attached to the solution tank (Figure 9, pos 2).

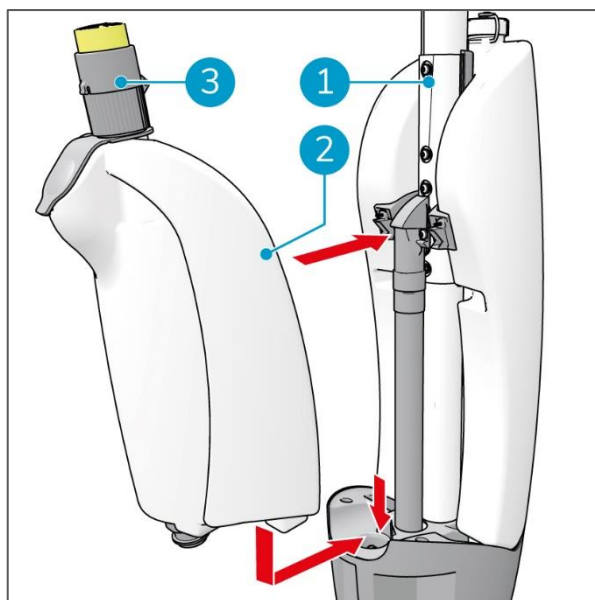


Figure 9



4. Open the injector top (Figure 10, pos 2).
5. Place the pod (Figure 10, pos 3) with the i-dose logo pointing upwards, in the injector.
6. Close injector top, making sure that the latch latches.
7. Push the yellow button (Figure 10, pos 1) down and release it.

The needle at the top and the bottom will pierce the pod and the cleaning solution pours into the water in the solution tank.

The solution tank is now dosed properly and ready to use.

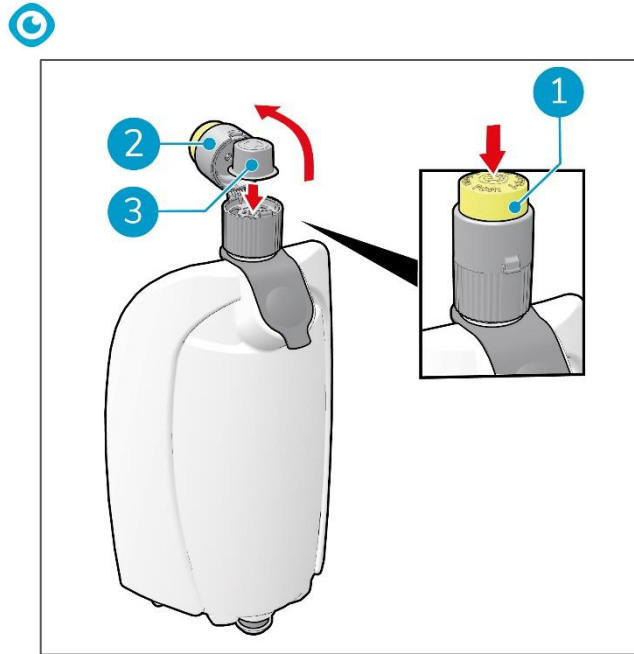


Figure 10



### ATTENTION

There is no need to shake the solution tank as the the chemicals for the i-dose have been specially designed to disperse evenly.

## 6.1 Exchanging the pods

1. Open the injector top (Figure 11, pos 1).
2. Remove the empty pod (Figure 11, pos 2) by slightly pinching it between your thumb and forefinger to minimize chemical contact.

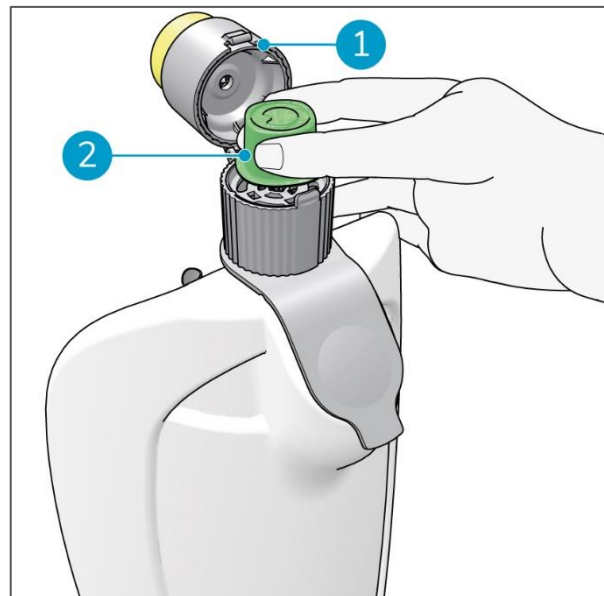


Figure 11

3. Pull the top of the solution tank away from the i-mop® body (Figure 12, pos 1).
4. Take out the desired pod (Figure 12, pos 2).
5. Push the the solution tank back onto the i-mop body.
6. Place the pod in the pod injector with the i-dose logo facing upwards (Figure 11, pos 2).
7. Close the injector top.

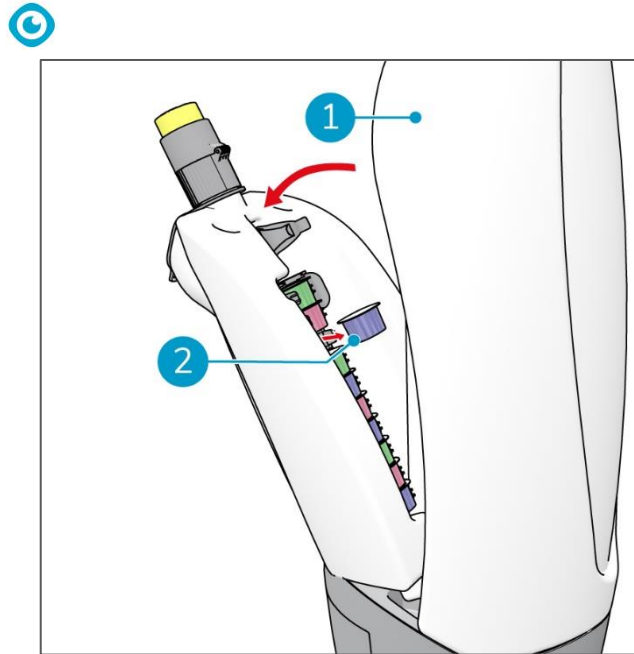


Figure 12



### ATTENTION

Dispose of the empty i-pods in an appropriate waste container for PE plastics.

## 6.2 Filling the solution tank

When the solution tank (Figure 13, pos 1) is empty, you can remove it to fill it.

1. Take the solution tank (Figure 13, pos 1) by the injector (Figure 13, pos 2).
2. Remove the solution tank as indicated by the arrows.
3. Fill it with water, see (Figure 8, pos 1).
4. Place the solution tank back on the i-mop body.

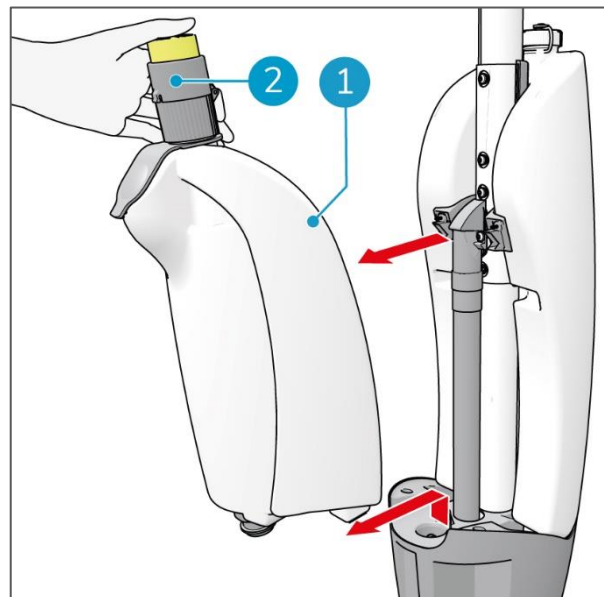


Figure 13



## 7 Maintenance



### WARNING

Before you start maintenance, replacing parts or cleaning; **Turn off the i-mop® and remove the batteries.**

### 7.1 Cleaning

#### 7.1.1 Rinsing the injector

Rinse the injector once a week under tap water.

1. Turn the injector (Figure 14, pos 1) counterclockwise to remove it from the solution tank.
2. Dispose of the old pod responsibly. See section 6.1.

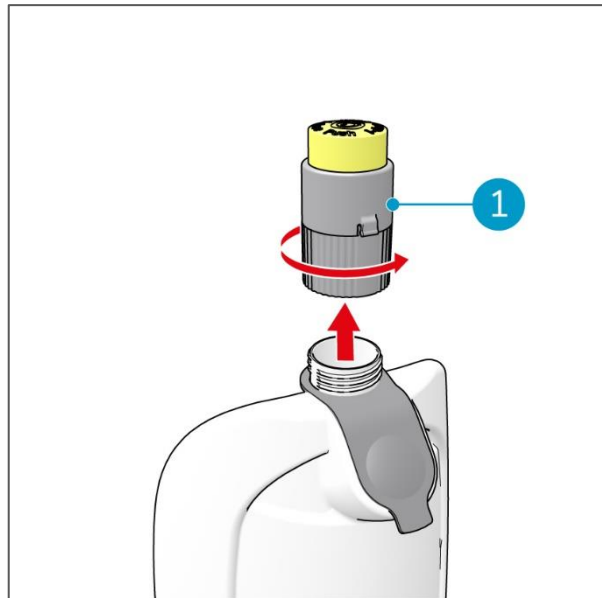


Figure 14

3. Rinse the injector with tap water (Figure 15, pos 1).
4. Turn the injector clockwise to replace it on the solution tank.

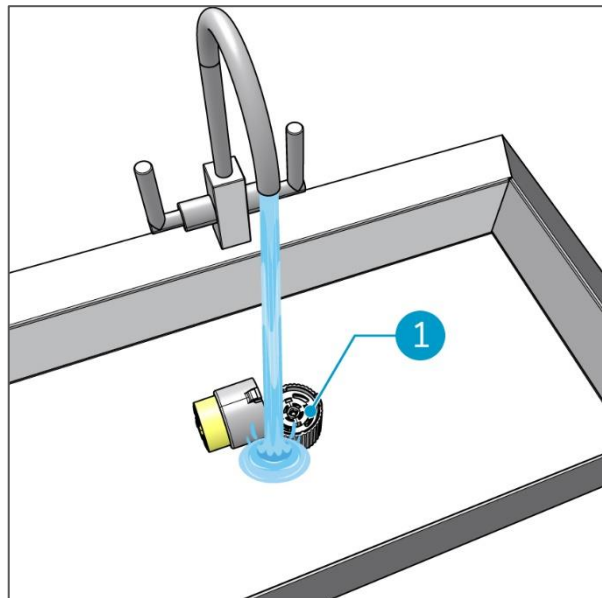


Figure 15

#### 7.1.2 Cleaning the exterior

Clean the exterior of the solution tank and injector once a week with a non-abrasive, non-solvent cleaner or clean it with a slightly damp cloth.



## 7.2 Damaged or worn parts

Damaged or worn parts need to be replaced immediately. Contact your local i-team Global partner or visit [www.i-teamglobal.com](http://www.i-teamglobal.com) for more information.

## 7.3 Storage

See section 4.



## 8 Trouble shooting

<b>Problem</b>	<b>Cause</b>	<b>Solution</b>
<b>The cleaning agent does not drop out of the pod all the way.</b>	You are not pushing the button all the way down	Make sure the button is pressed all the way down.
	The knives are blunt/worn out	Contact your i-team partner for a replacement injector.
	Surface tension on the liquid	Push the yellow button a few times.
<b>Solution tank does not fit on the i-mop properly.</b>	The solution tank valve is not clicked on the nipple, the seal does not open	Replace the solution tank. Make sure that the solution tank valve clicks on the nipple.
	The pod holder is not pushed all the way into the solution tank	Take it out and push it back in all the way.



## 9 Decommissioning and disposal



### ATTENTION

It is the responsibility of the i-dose® owner to dispose of the product.

At the end-of-life the i-dose still contains valuable resources and needs to be disposed of according to your local laws and regulations regarding recycling of electrical equipment.

The i-dose pods packaging is fully recyclable.

Empty i-pods need to be disposed of in an appropriate waste container for PE plastics.



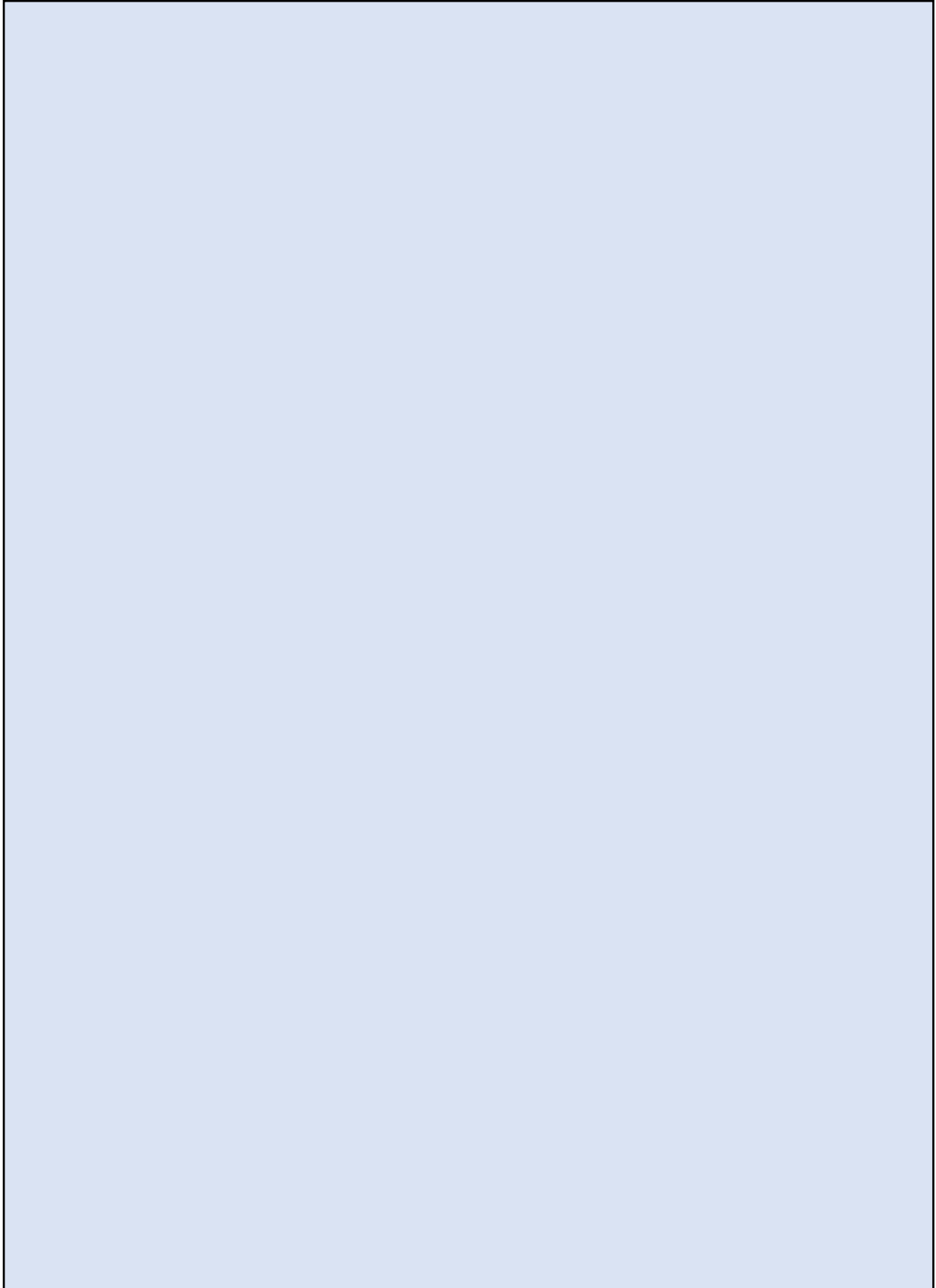
### TIP:

Contact you local i-team partner to explore all possibilities of returning components at the end-of-life of your i-dose.



## 10 Attachments

### 10.1 CE Certificate





This document is part of the technical file of the i-dose® system and will be available upon request.