

i-vac 30UR[®]

The most flexible of its kind

User manual



i-team Professional b.v.

Hoppenkuil 27b, 5626 DD Eindhoven, The Netherlands

T +31402662400

E hello@i-teamglobal.com

I www.i-teamglobal.com





Original user manual, written in the English Language
Future Cleaning Technologies B.V.
Hoppenkuil 27b, 5626 DD Eindhoven, The Netherlands

T +31402662400

E hello@i-teamglobal.com

I www.i-teamglobal.com

Model: i-vac 30UR

Date: 16/04/2020

Production code: SM.I-V.1110C

Version: v.1.1



Preface

Thank you for purchasing the i-vac 30UR® vacuum cleaner: the powerful and easy to use professional vacuum cleaner for dry surfaces. The i-vac 30UR can operate completely flat, so you can reach all of these hard-to-reach spots such as under furniture, desks and equipment. The i-vac 30UR also has a telescopic wand to easily reach high areas.

The i-vac 30UR is easy to use when you follow the instructions. Please read the user manual carefully. Become familiar with the correct operation and maintenance procedures. Store the manual in a safe place. The manual is an essential part of the i-vac 30UR and must be handed over to the new owner upon resale or exchange. Each i-vac 30UR has a unique identification number that can be found at the back of the main body. Your i-team partner needs this number when you order parts.

When this manual refers to “the manufacturer” this means: i-team Professional in Eindhoven, the Netherlands. When this manual mentions “the partner” your local i-team sales and support service partner is referred to.

Purpose of the user manual

The purpose of the user manual is to provide the user with information during the life of the i-vac 30UR in such a way that the i-vac 30UR is used correctly, efficiently and safely, even in the event of reasonably foreseeable misuse.

The user manual contains instructions regarding:

- personal operator safety;
- intended and non-intended use of the i-vac 30UR;
- instructions for daily use;
- maintenance instructions;
- storage conditions;
- disposal of the i-vac 30UR.

These instructions must be considered to avoid risks that could lead to physical and/or material damage.

Target audience

This user manual is intended for operators of the i-vac 30UR and their supervisors, as well as dealers and importers.

Operators of the i-vac 30UR




The i-vac 30UR may only be operated by a person who:

- has correctly read and understood the instructions in this manual;
- is trained by an experienced operator who has read and understood the instructions in this manual.



Reading guide

The following symbols and terms are used throughout this manual to alert the reader to safety issues and important information:

Symbol	Term	Explanation
	WARNING	Indicates a hazardous situation which, if the safety instructions are not followed, can lead to injuries of the operator or bystanders, light and/or moderate damage to the product or the environment.
	CAUTION	Indicates a hazardous situation which, if the safety instructions are not followed, can lead to light and / or moderate damage to the product or the environment.
	ATTENTION	Indicates a liability situation, where the manufacturer or its partners and affiliates cannot be held accountable for damages caused by non-compliance.



Content

Preface	3
Purpose of the user manual	3
Target audience	3
Operators of the i-vac 30UR.....	3
Reading guide.....	4
1 Introduction.....	7
1.1 Intended use of the product.....	7
1.2 Non-intended use of the product.....	8
1.3 Modifications.....	8
1.4 Specifications.....	9
1.5 Warranty.....	10
1.6 Identification	10
2 Description	11
3 Safety.....	12
3.1 General Safety Instructions	12
3.2 Risks during operation.....	12
4 Transport and storage	13
5 Assembly and installation.....	14
5.1 Unboxing.....	14
5.2 Assembly.....	15
5.2.1 Installing the handle.....	15
5.2.2 Installing the upper body to brush unit.....	16
5.2.3 Installing the hose and telescopic wand	17
5.2.4 Installing the main power cable	18
5.2.5 Replacing the dust bag	19
6 Operation	21
6.1 Adjustments.....	21
6.1.1 Adjusting the handle length	21
6.1.2 Adjusting the angle of the main body	21
6.1.3 Adjusting the height of the rotating brush.....	22
6.1.4 Adjusting the wand length	22
6.2 Before you start.....	23
6.3 Start	23
6.4 After operation	24
7 Maintenance	25
7.1 Cleaning	25



7.1.1	Clean the machine.....	25
7.1.2	Clean the hose and wand.....	25
7.2	Replacing parts.....	26
7.2.1	Replacing the cassette filter.....	26
7.2.2	Replacing the felt air outlet of the rotating brush.....	27
7.2.3	Replacing the rotating brush.....	28
7.3	Brush condition.....	30
7.4	Damaged or worn parts.....	30
7.5	Maintenance frequency.....	30
7.6	Storage.....	30
8	Trouble shooting.....	31
9	Decommissioning and disposal.....	32
10	Attachments.....	33
10.1	CE Certificate.....	33



1 Introduction

The i-vac 30UR[®] is an easy and safe machine to use. Because the i-vac 30UR is equipped with an internal rotating brush the cleaning is very efficient. You will be surprised how fast and effective the i-vac 30UR is. It also comes with several different accessories for vacuuming on different surfaces. Safety is guaranteed by the patented Whizzo indicator which makes a loud high tone when the bag is full or the vacuum is clogged. This manual helps you get started and explains the operation and maintenance procedure.

This manual is intended for those who work with the i-vac 30UR and perform maintenance. The manual must be read in full before the first actions. This manual describes the correct method of use, safety measures, maintenance and transport. And finally, the manual contains information about the consumables: the rotating brush, cassette filters and dust bags.

i-team Professional continuously improves all their products based on user experience and feedback. Any deviations between the texts and/or images from the manual and your i-vac 30UR can therefore arise from the difference in model or from possible changes due to continuous development and innovation.

1.1 Intended use of the product

ONLY use original attachments, consumables and brushes that are provided with the i-vac 30UR.

The i-vac 30UR is intended for indoor use for the collection of **dry** materials only, see Figure 1 below.

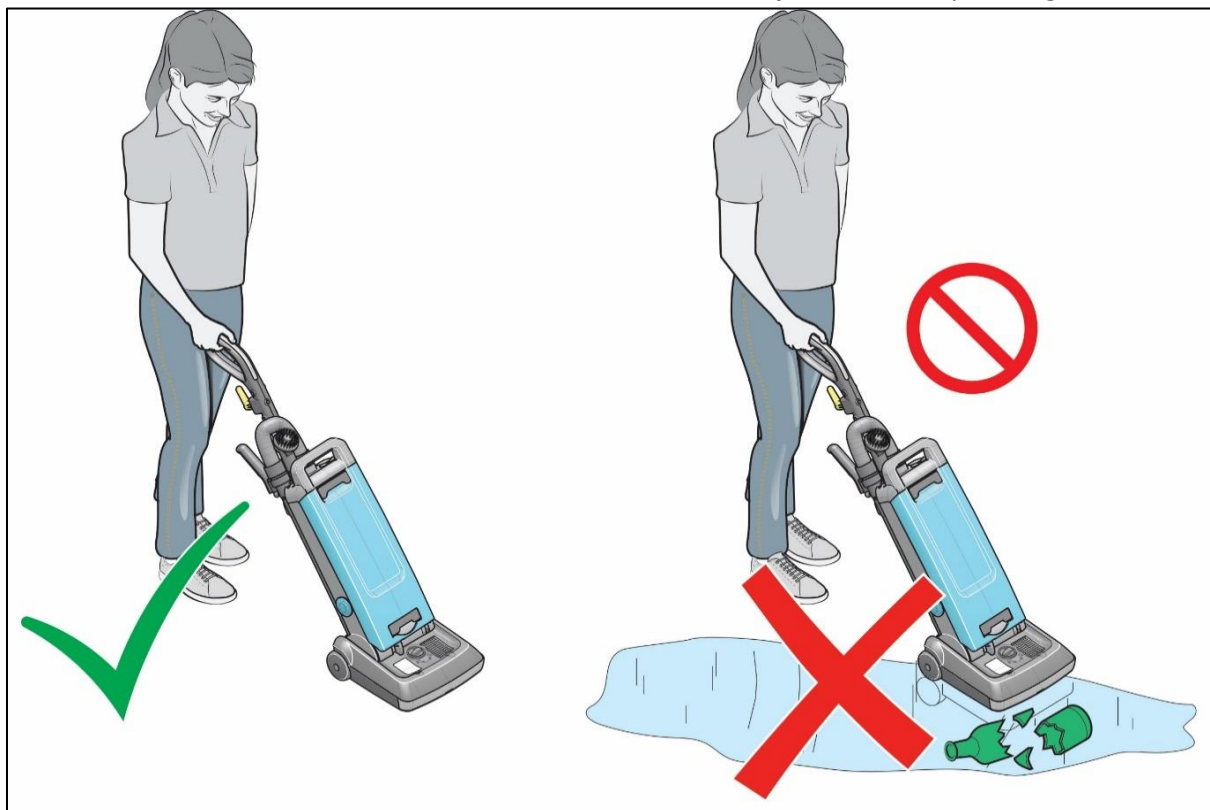


Figure 1

The i-vac 30UR is optimized for commercial use, for example in hotels, schools, hospitals, factories, shops and offices.



For optimal cleaning of floors, the i-vac 30UR® is equipped with a rotating brush on the underside of the machine.

In order to use the i-vac 30UR on different types of surfaces, different tools are provided. These tools are easy to replace. Select the right tool for each job, see Figure 2.

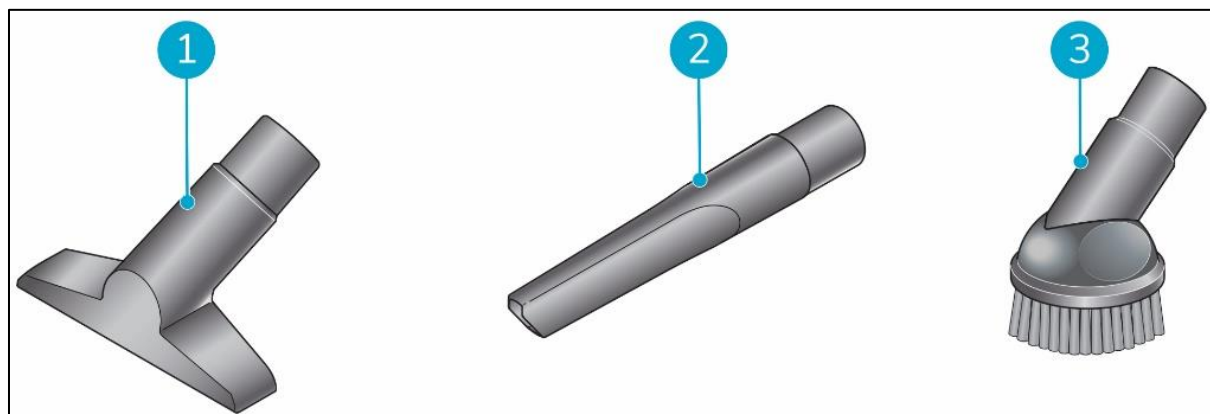


Figure 2

1. An upholstery tool.
2. A crevice tool.
3. A round brush.

1.2 Non-intended use of the product



WARNING

Non-intended use can have consequences for the safety of operators and bystanders, may cause damage to the product and will void the warranty of the product.

Do not use the i-vac 30UR outdoors or in wet environments.

Do not use non original attachments, consumables or brushes. The use of other devices may impair safety.

Do not use the i-vac 30UR to remove anything else than dry materials. The i-vac 30UR is not suitable for the collection of:

- wet materials or water;
- hot ashes or lighted cigarette ends;
- hazardous or explosive dusts;
- biological hazards;
- particulate matter.

1.3 Modifications

It is not permitted to make modifications to the design of the i-vac 30UR without consultation and permission from the manufacturer. This affects the warranty, see 1.5.



1.4 Specifications

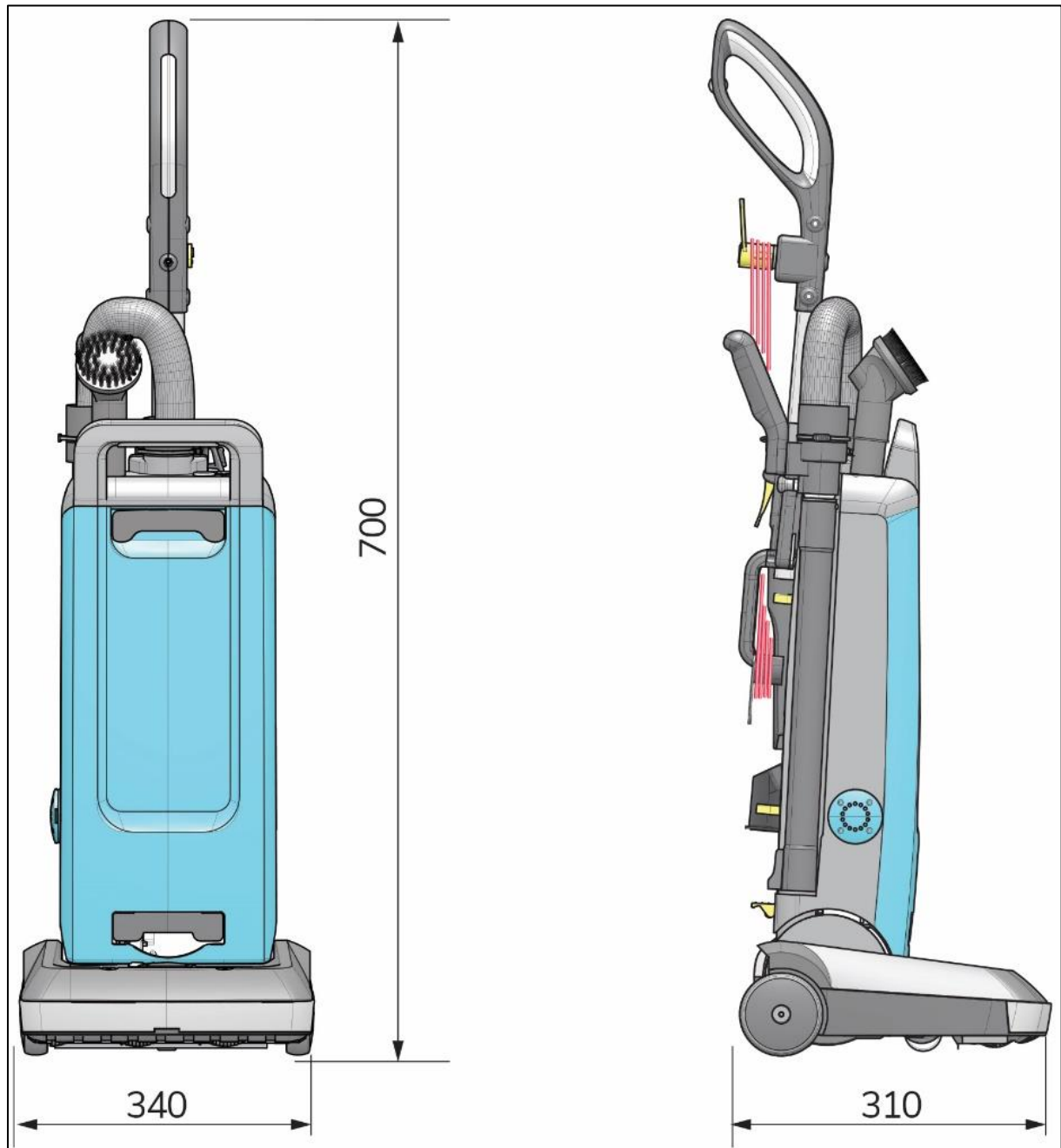


Figure 3

Product size (body unit):	340 x 310 x 700 mm
Diameter accessories:	35 mm
Cable length:	1200 cm
Hose length:	220 cm
Weight:	8.3 kg
Capacity (dust bag):	6 liter
Voltage:	230-240 V
Motor power:	1000 W
Water lift/suction:	2000 mm
Air flow:	32 L/s
Brush speed:	3000 rpm



Cleaning path:	300 mm
Sound level:	69 dB(A)
Material:	ABS/PC
Application:	Indoor, dry

1.5 Warranty

The i-vac 30UR® should only be operated with the materials supplied. Using alternative supplies may cause damage to the i-vac 30UR and may cause a risk to the operator. The use of alternative supplies or not following the advised maintenance schedule voids manufacturer's warranty. The warranty period is 1 year.

1.6 Identification

Each i-vac 30UR has a unique identification number that can be found on the identification plate at the bottom of the brush unit and at the back side of the upper body. Your i-team partner needs this number when you order parts or consumables.

Explanation type plate:



Product type: i-vac 30UR

Production code: SM.I-V.1110C

Model: SM

Serial number:

Distributor:

i-team Professional

Hoppenkuil 27 b

NL-5626 DD Eindhoven

Figure 4



2 Description

The i-vac 30UR® has an ergonomic handle for comfortable use and an inspection hatch for blockages. The telescopic wand makes it easy to reach high spots. It can be combined with different tools to use the i-vac 30UR on different surfaces.

The i-vac 30UR consists of:

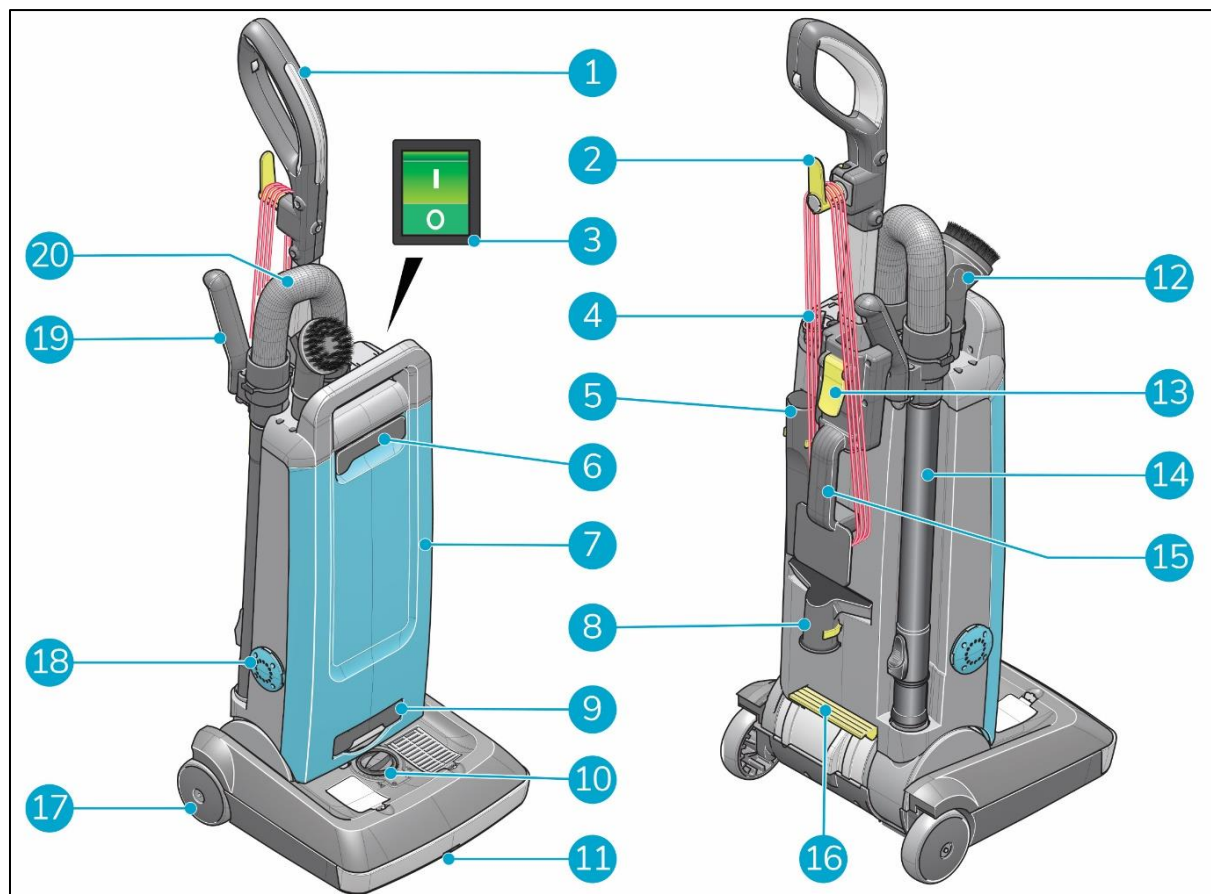


Figure 5

Legend

- | | |
|-------------------------------------|---------------------------------------|
| 1. A handle. | 11. A rotating brush. |
| 2. A power cable storage hook. | 12. A round brush. |
| 3. A lighted ON/OFF switch. | 13. A handle height adjustment latch. |
| 4. A main power cable. | 14. A wand. |
| 5. A crevice tool. | 15. A carrying handle. |
| 6. A front cover release handle. | 16. A position switch. |
| 7. A front cover. | 17. The wheels. |
| 8. An upholstery tool. | 18. A Whizzo indicator. |
| 9. An upper body release switch. | 19. A wand handle. |
| 10. A brush height adjustment knob. | 20. A hose. |



3 Safety

Safety comes first, therefore please take time to read and understand these safety instructions. Improper use can cause harm or void the manufacturer's warranty.

3.1 General Safety Instructions

Please keep the following safety instructions in mind:

- do not remove the power plug from the socket by pulling at the main power cable;
- remove pins, paperclips and other small objects from the surface before cleaning with the i-vac 30UR®. Failure to do so may cause damage the i-vac 30UR.

3.2 Risks during operation



WARNING

DO NOT not put your hands or any object into the rotating brush. This may cause serious injury and/or damage to the product.



WARNING

DO NOT use the i-vac 30UR without a dust bag or cassette filter. This will cause damage to the i-vac 30UR .



WARNING

DO NOT use the i-vac 30UR on damp or wet surfaces. This will cause damage to the i-vac 30UR and it is dangerous to the user. The damage caused by the use on a wet surface is not covered under the warranty.



WARNING

Stop immediately if the i-vac 30UR does not pick up something properly or makes an unusual noise. Service the i-vac 30UR before you continue the operation.



WARNING

DO NOT vacuum explosive, dangerous substances or hot ashes.

- do not run the i-vac 30UR over the main power cable;
- do not remove the power plug from the socket by pulling at the main power cable;
- be careful when vacuuming over area rug edges and fringe.



4 Transport and storage

- do not store the i-vac 30UR® outside;
- store the i-vac 30UR in a dry place;
- store the i-vac 30UR with the upper body in an upright position;
- store the main power cable on the cable storage hooks during transport and storage;
- store the wand in its holder during transport and storage.



5 Assembly and installation

The i-vac 30UR® does not require much assembly. The machine comes with 3 additional tools for vacuuming different surfaces.

5.1 Unboxing

The i-vac 30UR and all the components and accessories are packed in 1 box.

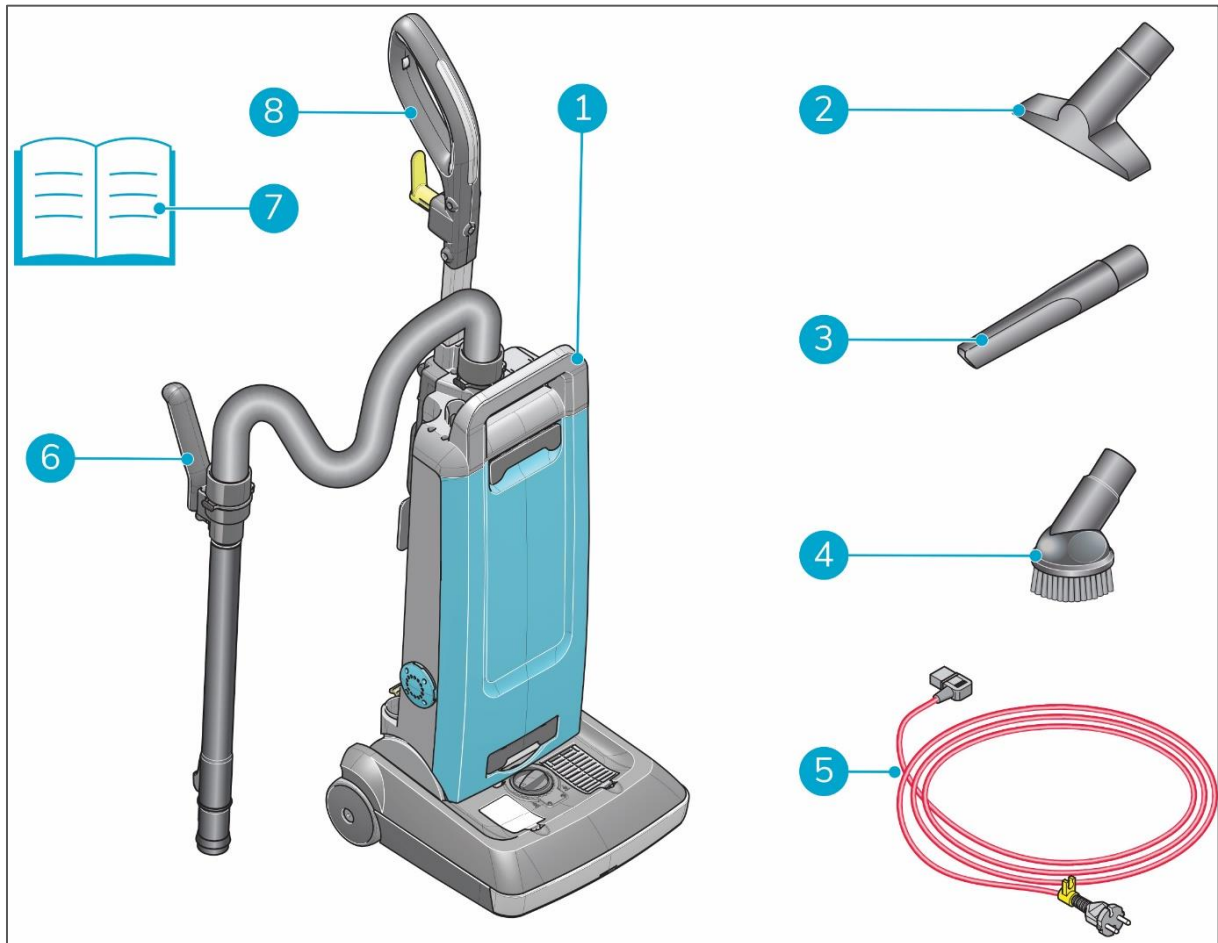


Figure 6

Legend

- | | |
|----------------------------|------------------------|
| 1. 1x i-vac 30UR main body | 5. 1x main power cable |
| 2. 1x upholstery tool | 6. 1x hose and wand |
| 3. 1x crevice tool | 7. 1x this user manual |
| 4. 1x round brush | 8. 1x handle |



5.2 Assembly

5.2.1 Installing the handle

1. Remove the thumb screw (Figure 7, pos 3).
2. Keep the cable strain relief (Figure 7, pos 4) at hand.
3. Release the latch (Figure 7, pos 2).
4. Place the handle (Figure 7, pos 1) into the handle intake (Figure 7, pos 5).
5. Insert the thumb screw (Figure 7, pos 3) into the cable strain relief (Figure 7, pos 4).
6. Tighten the thumb screw (Figure 7, pos 3).
7. Fasten the latch (Figure 7, pos 2).

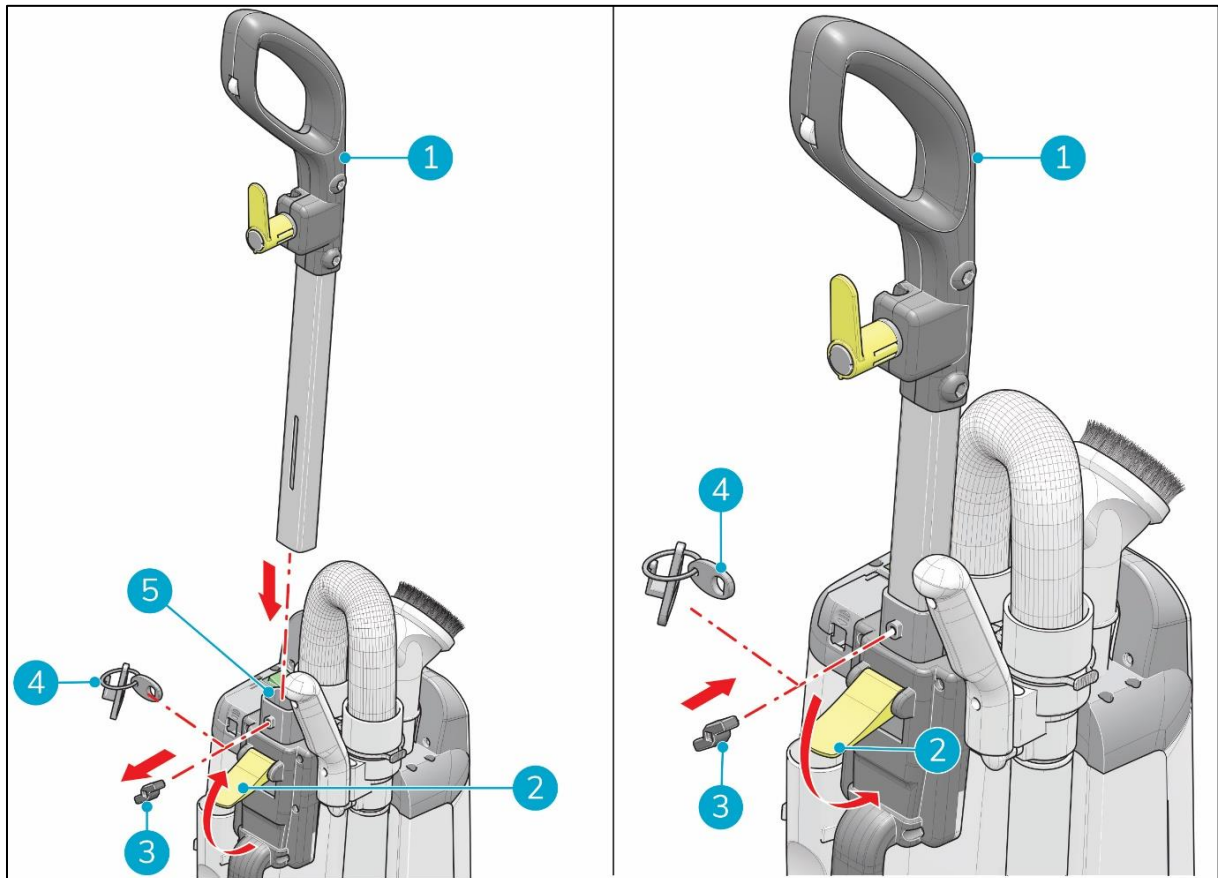


Figure 7



5.2.2 Installing the upper body to brush unit

1. Adjust the swivel nick shaft to align its yellow mark with the yellow mark on the motor side cover (Figure 8, pos 2).
2. Adjust the steel support bracket with the yellow mark on the right side of the motor cover (Figure 8, pos 1).
3. Lift the upper body (Figure 8, pos 3) and insert it into the bottom brush unit.
4. Push the upper body until it is locked by the brush unit hooks (Figure 8, pos 4).

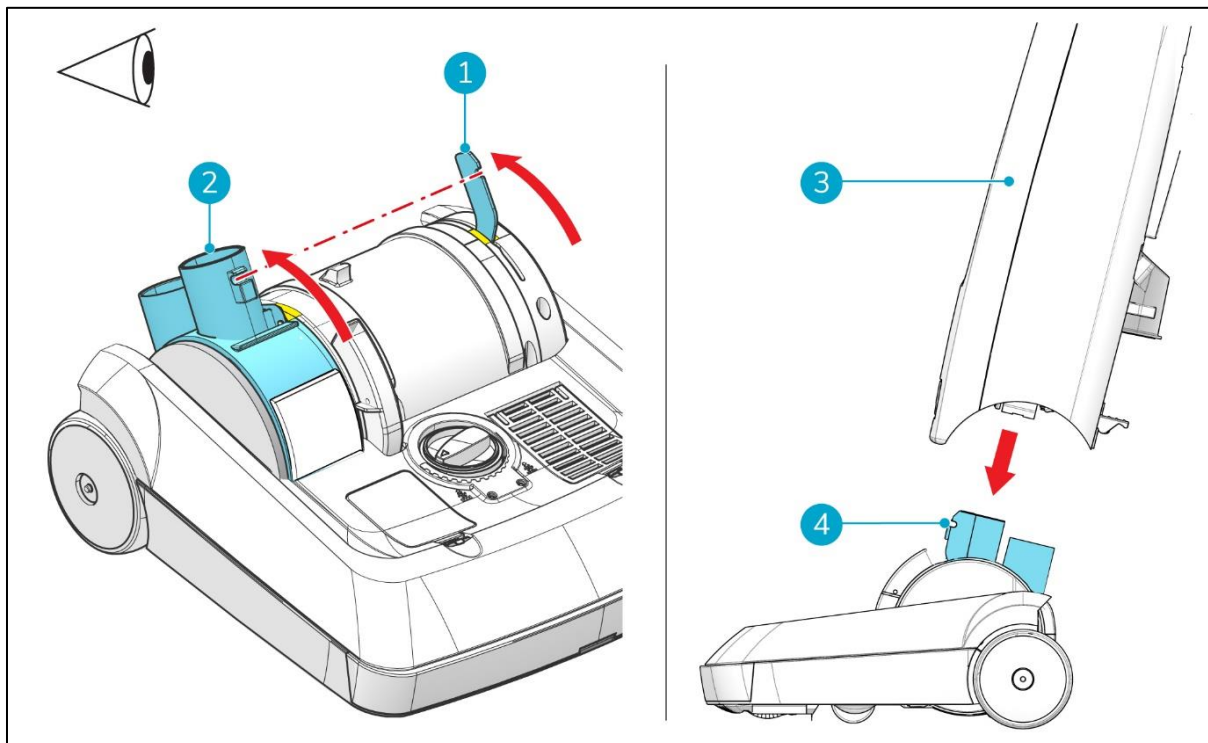


Figure 8



5.2.3 Installing the hose and telescopic wand

1. Connect one side of the hose (Figure 9, pos 1) to the broad side of the telescopic wand (Figure 9, pos 3) while depressing the clip (Figure 9, pos 2).
2. Connect the other side of the hose to the upper body (Figure 9, pos 4) while pressing the clip (Figure 9, pos 2).
3. Place the narrow side of the telescopic wand into the round opening (Figure 9, pos 5) in the lower body.
4. Lock the wand in place with the clamp.

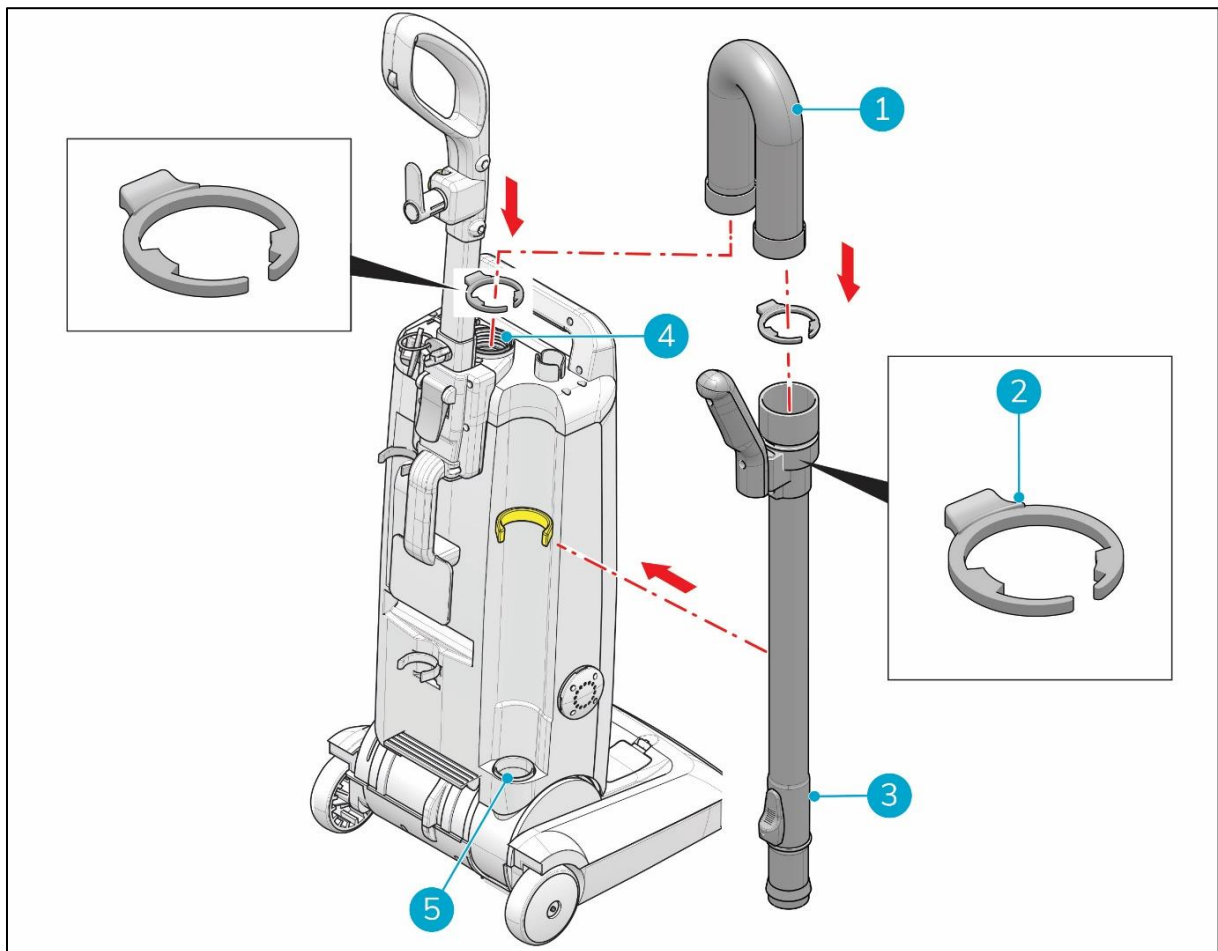


Figure 9



5.2.4 Installing the main power cable

1. Open the cover (Figure 10, pos 5).
2. Place the main power cable connector into the slot (Figure 10, pos 6).
3. Close the cover (Figure 10, pos 5).
4. Insert the main power cable into the cable strain relief (Figure 10, pos 4) and secure the main power cable.
5. Turn the yellow clip (Figure 10, pos 1) aside to open the power cable duct (Figure 10, pos 2).
6. Insert the main power cable into the power cable duct (Figure 10, pos 2).
7. Secure the main power cable with the yellow clip (Figure 10, pos 1).
8. Turn the yellow power cable hook (Figure 10, pos 3) into the upright position.
9. Wind the main power cable over the hook and the back handle.

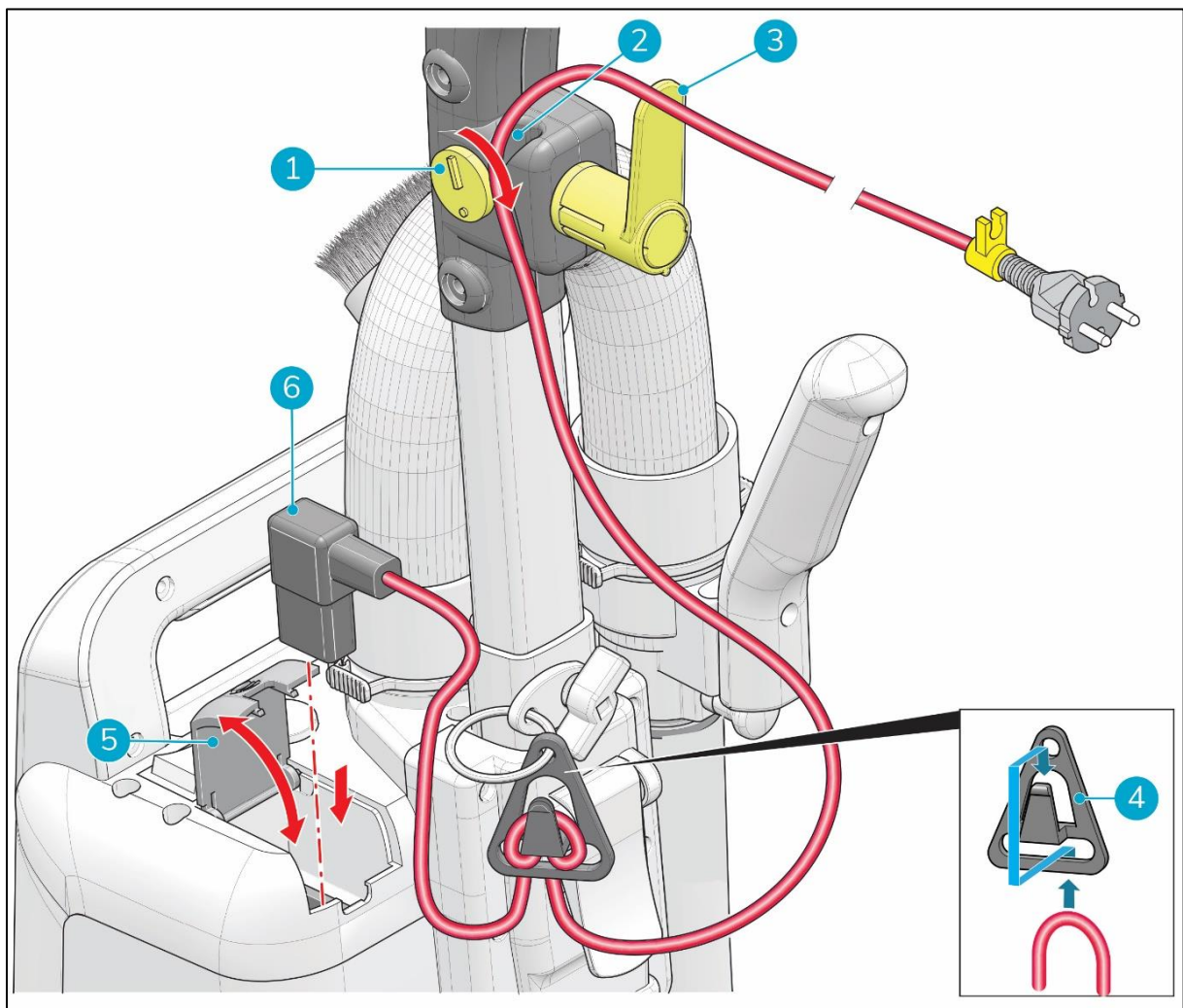


Figure 10



5.2.5 Replacing the dust bag

- this **needs** to be done when the red light in the main switch flashes or when the Whizzo makes a whistling sound;
- unplug the main power cable before replacing the dust bag filter;
- only use original i-team dust bags as these enhance the performance of the i-vac 30UR® and keep it clean.

1. Pull the front cover release handle (Figure 11, pos 1).
2. Remove the front cover (Figure 11, pos 2).

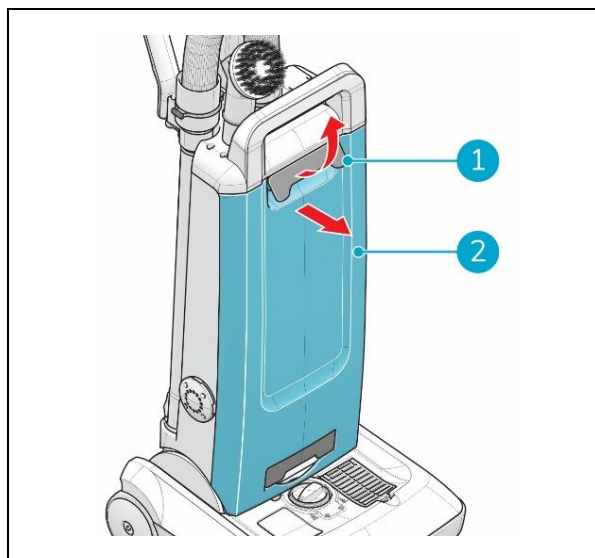


Figure 11

3. Pull out the handle (Figure 12, pos 1) until it blocks.
4. Turn the small handle sideways (Figure 12, pos 4) to push the dust bag outwards.
5. Pull the cardboard tag (Figure 12, pos 3) to seal the dust bag.
6. Remove the old dust bag (Figure 12, pos 2).

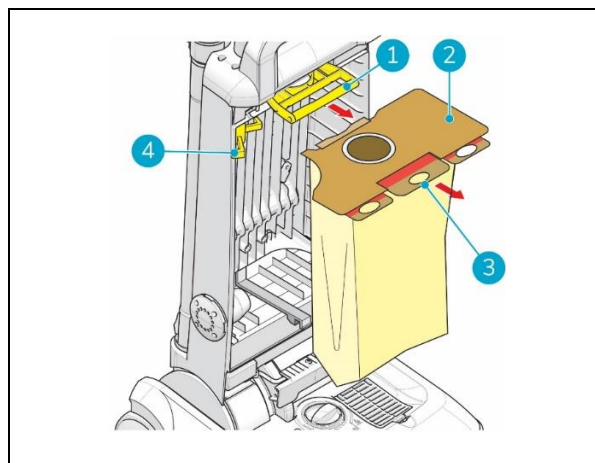


Figure 12



7. Slide the cardboard collar (Figure 13, pos 1) of the dust bag into the slots to fully insert the dust bag.
8. Push the handle (Figure 13, pos 2) inwards until it locks.

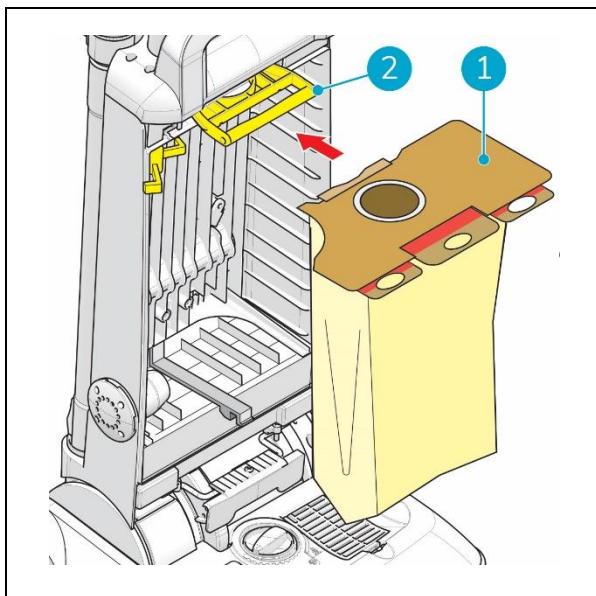


Figure 13

9. Put the front cover (Figure 14, pos 1) back into place and close it. When it clicks it is locked.

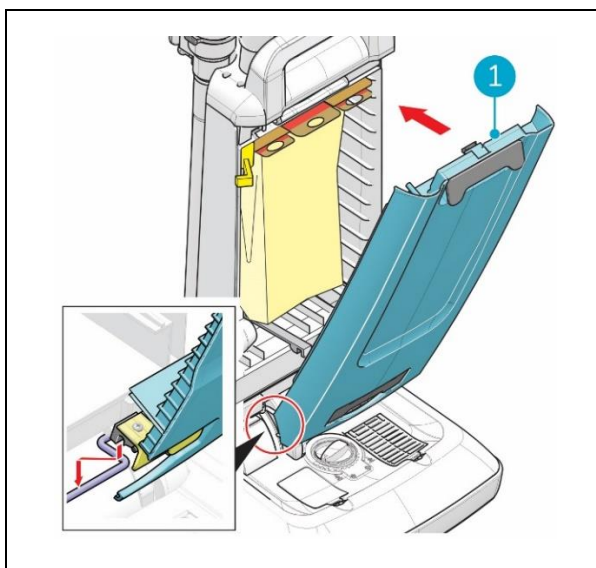


Figure 14



6 Operation

6.1 Adjustments

6.1.1 Adjusting the handle length

1. Release the latch (Figure 15, pos 2).
2. Adjust the height of the handle (Figure 15, pos 1) to a comfortable position.
3. Fasten the latch (Figure 15, pos 2).

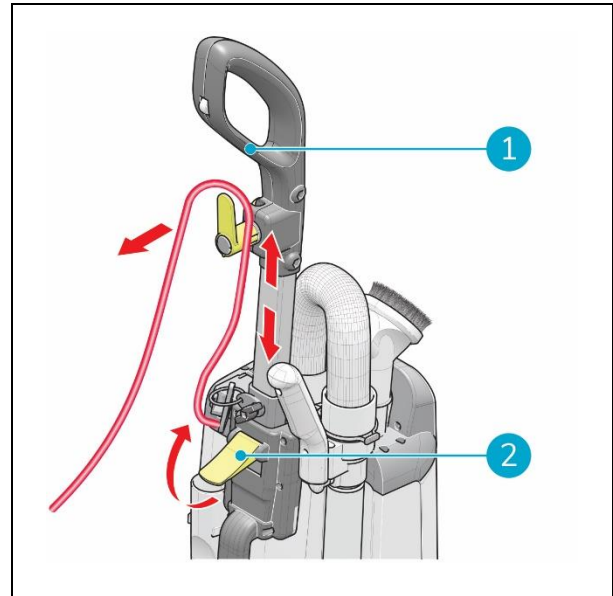


Figure 15

6.1.2 Adjusting the angle of the main body

The lower position allows you to clean under furniture such as beds, chairs and tables. A tiny guide wheel in the handle makes moving the i-vac 30UR® very easy.

1. Press the position switch (Figure 16, pos 1) to release the main body of the i-vac 30UR from its vertical position.
2. Use the i-vac 30UR in the desired angle.
3. To lock it in the vertical position again, raise the handle. When it clicks it is locked in position.

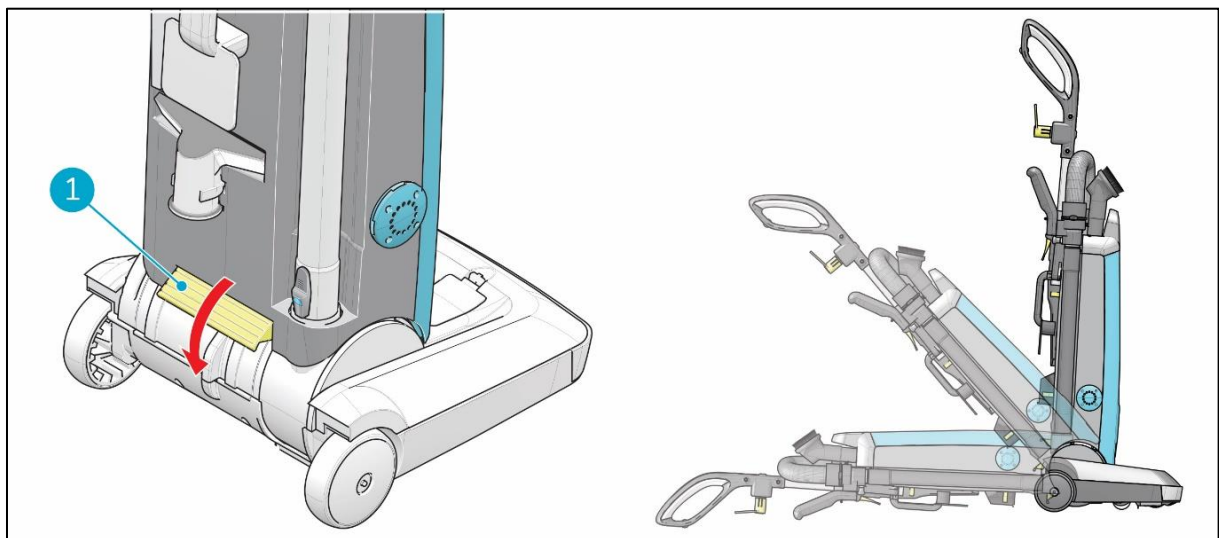


Figure 16



6.1.3 Adjusting the height of the rotating brush

You can adjust the height of the rotating brush to match the floor type you want to clean, such as tiles (low setting) or carpet (intermediate or high setting).

Turn the height adjustment knob (Figure 17, pos 1) to adjust the height of the rotating brush.

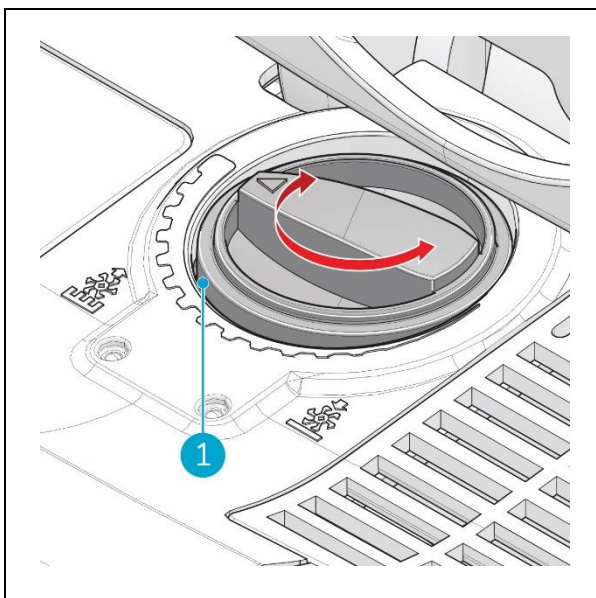


Figure 17

6.1.4 Adjusting the wand length

The telescopic wand allows you to clean high positions like ceilings and walls.

1. Push the black sliding button (Figure 18, pos 1) down and hold it.
2. Pull the wand out to the required length.
3. Release the switch to secure the position.

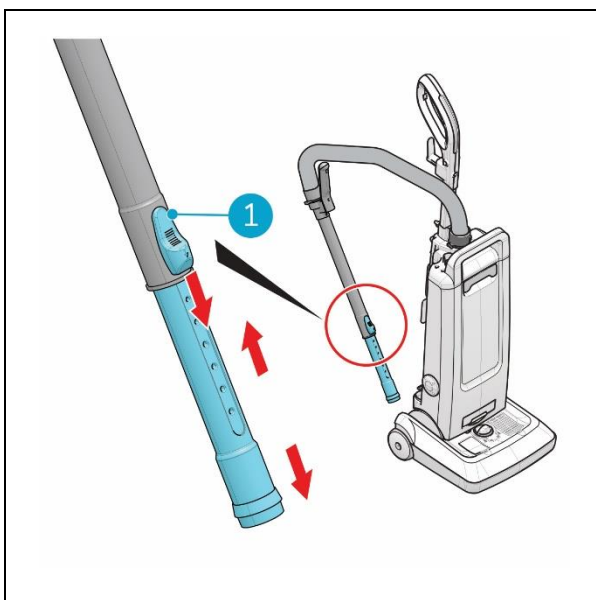


Figure 18



6.2 Before you start

- make sure that the dust bag is placed in the i-vac 30UR®. See also 5.2.5;
- check and replace the dust bag if it is full;
- check and replace the cassette filter if it is polluted. See also 7.2.1;
- check the i-vac 30UR for damage.

6.3 Start



ATTENTION

When you start the i-vac 30UR in upright position, the rotating brush goes to its highest position automatically. Read 6.1.3. to adjust the height of the rotating brush.

1. Fully unwind the main power cable (Figure 19, pos 2).
2. Put the main power cable plug in the wall socket (Figure 19, pos 3).
3. Press the ON/OFF switch (Figure 19, pos 1) at the top of the main body to turn on the i-vac 30UR.
4. Start vacuuming.

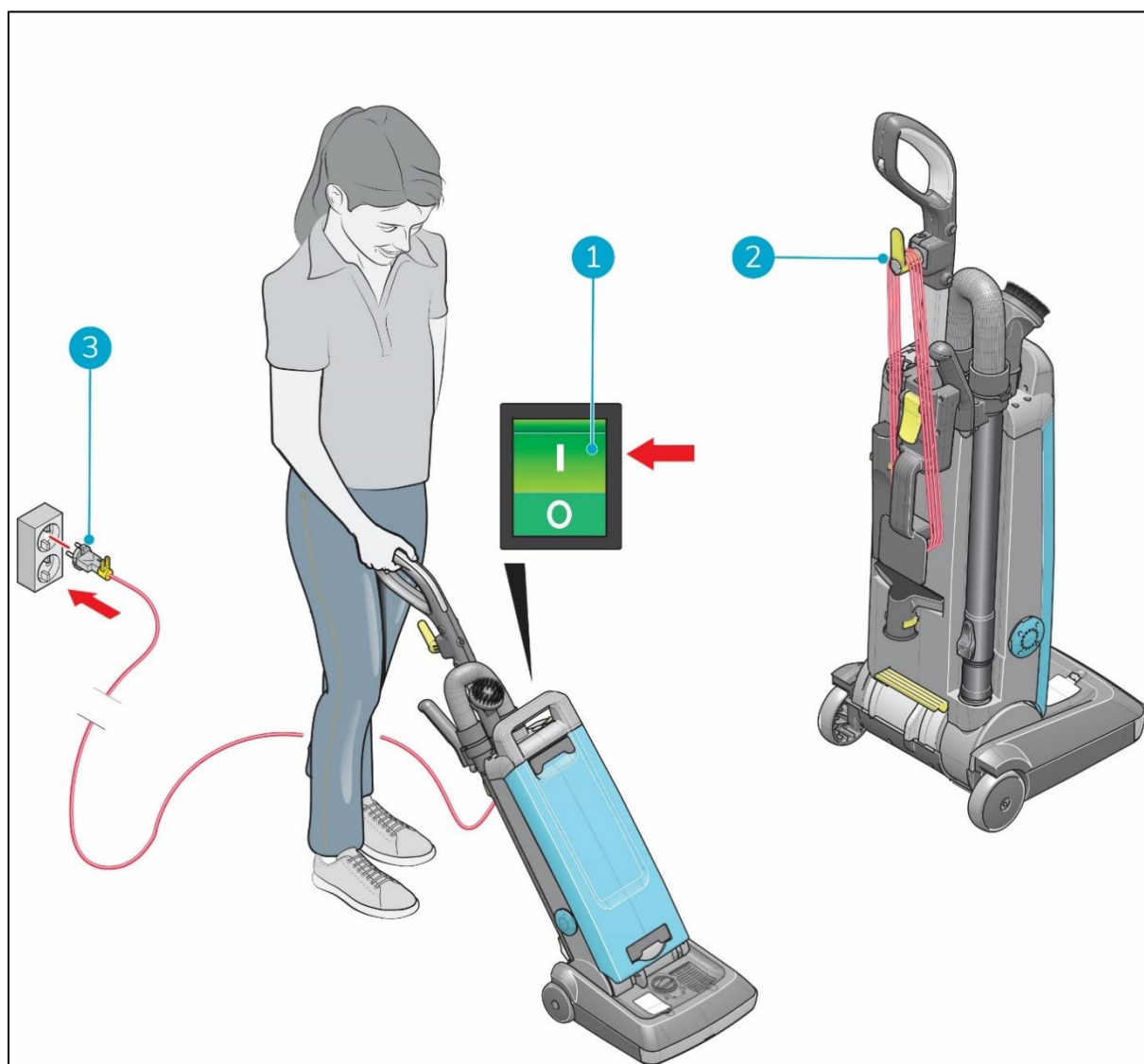


Figure 19



6.4 After operation

1. Press the ON/OFF switch (Figure 20, pos 1) at the top of the main body to turn off the i-vac 30UR®.
2. Remove the main power cable from the wall socket (Figure 20, pos 3).
3. Wind the main power cable over the hook and back handle (Figure 20, pos 2).

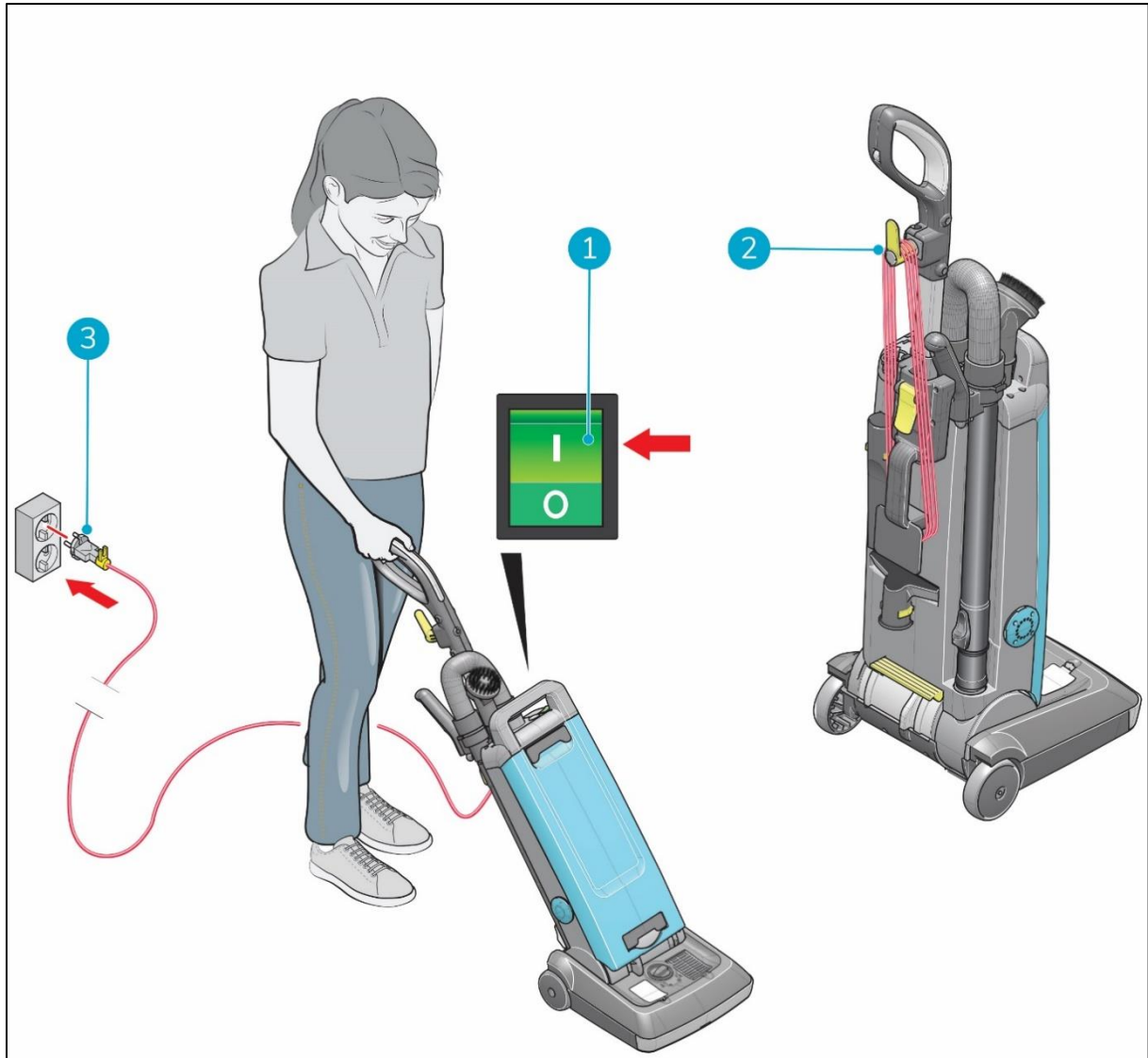


Figure 20



7 Maintenance



WARNING

Before you start maintenance or replacing parts; **turn off the i-vac 30UR® and remove the main power cable** from the wall socket.

The i-vac 30UR does not require much maintenance however it is recommended to clean the machine after use before putting in storage.

For a proper functioning and a long lifespan of the i-vac 30UR, it is important to follow the recommended maintenance frequency mentioned in this manual. See 7.5.

Maintenance that is not described in this manual should be done by your i-vac 30UR partner. Please make sure to have the model and serial number of the i-vac 30UR available when you call a partner. For more Information please fill out the contact form on www.i-teamglobal.com.

7.1 Cleaning



WARNING

DO NOT clean the i-vac 30UR with a high pressure cleaner! **DO NOT** submerge it in water!

7.1.1 Clean the machine

Clean the exterior of the machine using a damp cloth.

7.1.2 Clean the hose and wand

Keep the hose and tube clear. Remove objects that cause a blockage by beating it gently with your hand.



7.2 Replacing parts

7.2.1 Replacing the cassette filter

Replace the cassette filter at least once a month or after having replaced the dust bag twenty times.

1. Pull the front cover release handle (Figure 21, pos 1) and take out the front cover (Figure 21, pos 2).

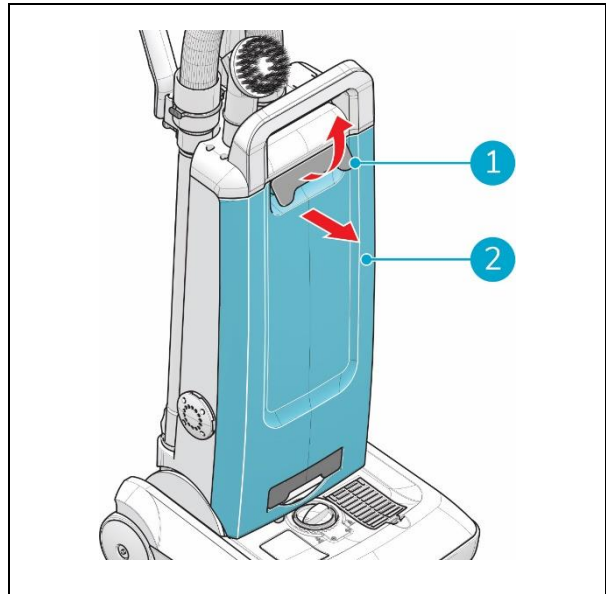


Figure 21

2. Pull up the yellow clamp (Figure 22, pos 1).
3. Remove the old cassette filter (Figure 22, pos 2).
4. Insert the new cassette filter into the groove.
5. Make sure that the yellow clamp secures the cassette filter.
6. Put the front cover back into place.

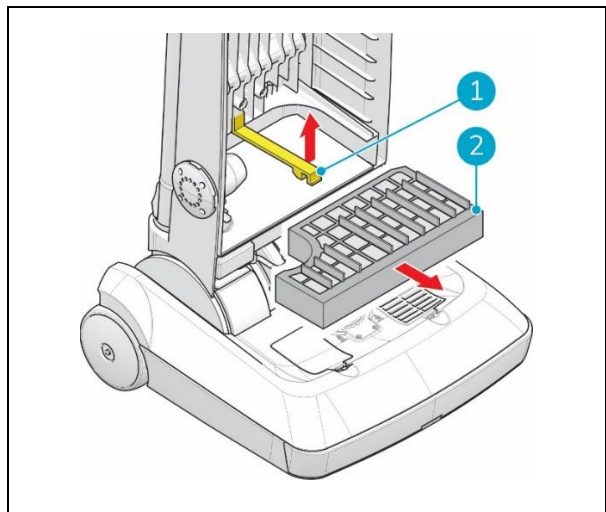


Figure 22

HEPA and ULPA filter types

Your i-vac 30UR® is equipped with a standard cassette filter, which is perfect for everyday cleaning. In addition to the standard cassette filter we have the HEPA and the ULPA filter types:

- the HEPA filter will remove pathogens, allergens and particles that cause health issues that are often associated with asthma;
- the ULPA filters are used in environments where a high standard of clean air should be maintained.

Please contact your local i-team partner for all necessary filter certifications.



7.2.2 Replacing the felt air outlet of the rotating brush

1. Open the cover (Figure 23, pos 1).
2. Remove the old felt air outlet cotton (Figure 23, pos 2).
3. Remove the old felt air outlet (Figure 23, pos 3).
4. Insert the new felt air outlet.
5. Insert the new felt air outlet cotton.
6. Close the cover.

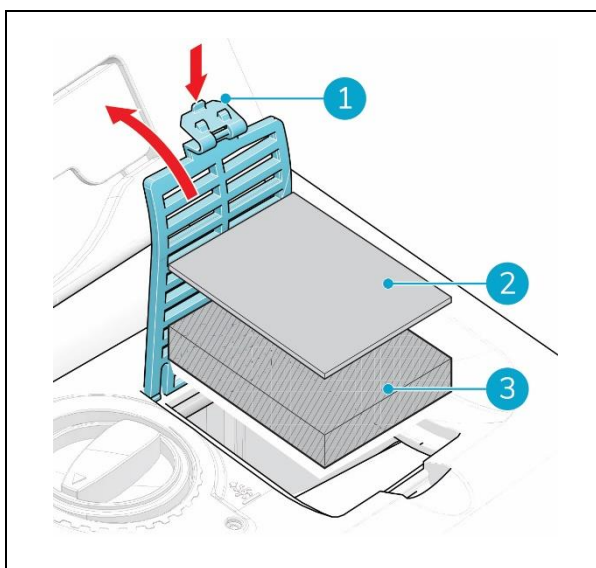


Figure 23



7.2.3 Replacing the rotating brush

1. Lay down the i-vac 30UR® horizontally.
2. Remove the metal screws (Figure 24, pos 1).

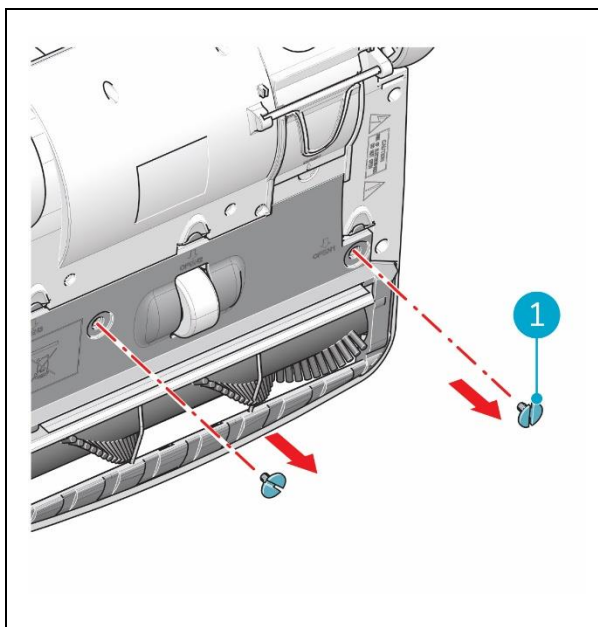


Figure 24

3. Press down the three clips (Figure 25, pos 2).
4. Take out the cover plate (Figure 25, pos 1).

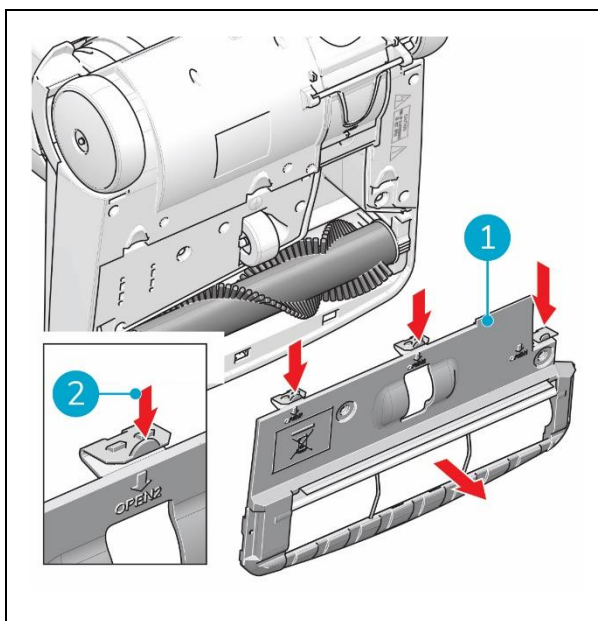


Figure 25

5. Pull out the rotating brush at the grip (Figure 26, pos 1) and slide it out as indicated at Figure 26, pos 2.

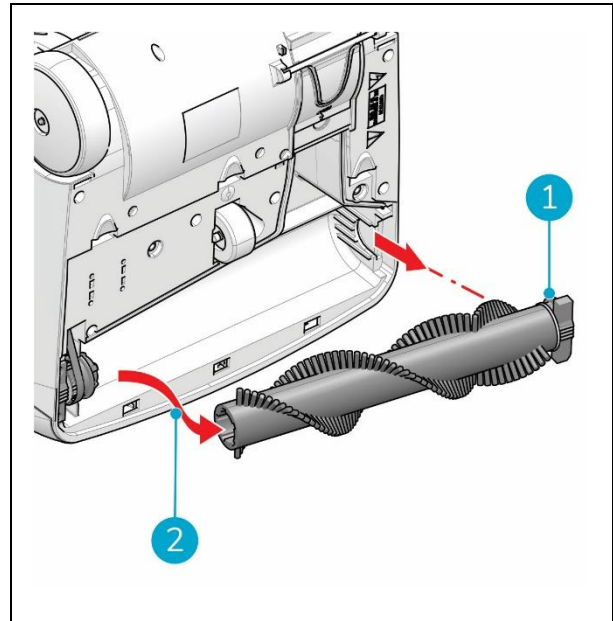


Figure 26

6. Place the new rotating brush, first at the side of the drive belt (Figure 27, pos 1). Make sure that the grooves in the brush are aligned with the cams of the drive wheel.
7. Slide in the other side (Figure 27, pos 2). When it clicks it is locked.
8. Place the cover plate (Figure 25, pos 1) back, place the bottom three nocks first in position.
9. Close the cover plate. When the three clips (Figure 25, pos 2) click into place, it is locked.
10. Tighten the metal screws (Figure 24, pos 1).

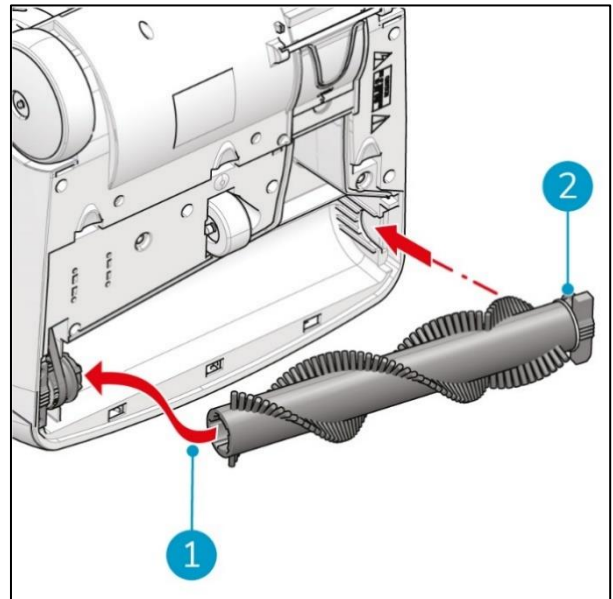


Figure 27



7.3 Brush condition

Check the condition of the brush before use, change the brush only when the machine is turned off.

7.4 Damaged or worn parts

Damaged or worn parts need to be replaced immediately. Contact your local i-team Professional partner or visit www.i-teamglobal.com for more information.

7.5 Maintenance frequency

Make sure that routine and preventive maintenance is carried out monthly to ensure safe operation. Failure to carry out maintenance as necessary may cause damage to the i-vac 30UR® and may cause a risk to the operator.

Replace the cassette filter at least once a month or after having replaced the dust bag twenty times.

7.6 Storage

- store the i-vac 30UR in an upright position;
- store the i-vac 30UR indoors in a dry environment.



8 Trouble shooting

Problem	Cause	Solution
No power	Main power cable not plugged in	Plug in main power cable.
	No electricity in wall socket	Check wall socket.
	ON/OFF switch off	Turn on ON/OFF switch.
Low suction power	Dust bag full	Turn off the i-vac 30UR®. Replace dust bag.
	Cassette filter full	Turn off the i-vac 30UR. Replace cassette filter.
	Hose not well attached	Turn off the i-vac 30UR. Reconnect hose.
	Hose or wand blocked	Turn off the i-vac 30UR. Remove blockage.
Red light in main switch flashes*	Dust bag full	Turn off the i-vac 30UR. Replace dust bag.
	Hose or wand blocked	Turn off the i-vac 30UR. Remove blockage.
Red light (brush controller) on the top of the rotating brush is on	Brush is blocked	Turn off the i-vac 30UR. Remove blockage.
Whizzo makes whistling noise	Dust bag full	Turn off the i-vac 30UR. Replace dust bag.

* If you ignore the red light in the main switch the i-vac 30UR will turn off.



9 Decommissioning and disposal



ATTENTION

It is the responsibility of the i-vac 30UR® owner to dispose of the product..

At the end-of-life the i-vac 30UR still contains valuable resources and needs to be disposed of according to your local laws and regulations regarding recycling of electrical equipment.



Before disposal please:

1. Remove all separate components such as brush, hose and wand.
2. Dispose all items according to your local laws and regulations.

TIP:

Contact you local i-team partner to explore all possibilities of returning components at the end-of-life of your i-vac 30UR.



10 Attachments

10.1 CE Certificate



EG/EC DECLARATION OF CONFORMITY

We: Future Cleaning Technologies B.V., Hoppenkuil 27b, 5626 DD Eindhoven, Nederland

Hereby declare the following equipment:

Product: **Vacuum Cleaner**
Model: **SM 30UR, UP3 & UP4**

Rating: **220-240V 50Hz**
1000W
Class II
IPXO

Fulfills all the relevant provisions of European Low Voltage Directive 2006/95/EC and EMC Directive 2004/108/EC. This equipment has been designed and manufactured in accordance with following harmonized European standards:

EN 60355-1:2002 + A11:2004 + A1:2004 + A12:2006 + A2:2006 + A13:2008
EN 60335-2-2:2003 + A1:2004 + A2:2006
EN 60335-2-69:2009
EN 62233:2008
EN 61000-3-2:2006 + A1:2009 + A2:2009
EN 61000-3-3:2008
EN 55014-2:1997 + A1:2001 + A2:2008

Eindhoven, 11.09.2010

Frank van de Ven
Director

(Place and date of issue)

(Name and signature by authorized person)



This document is part of the technical file of the i-vac 30UR[®] and will be available upon request.