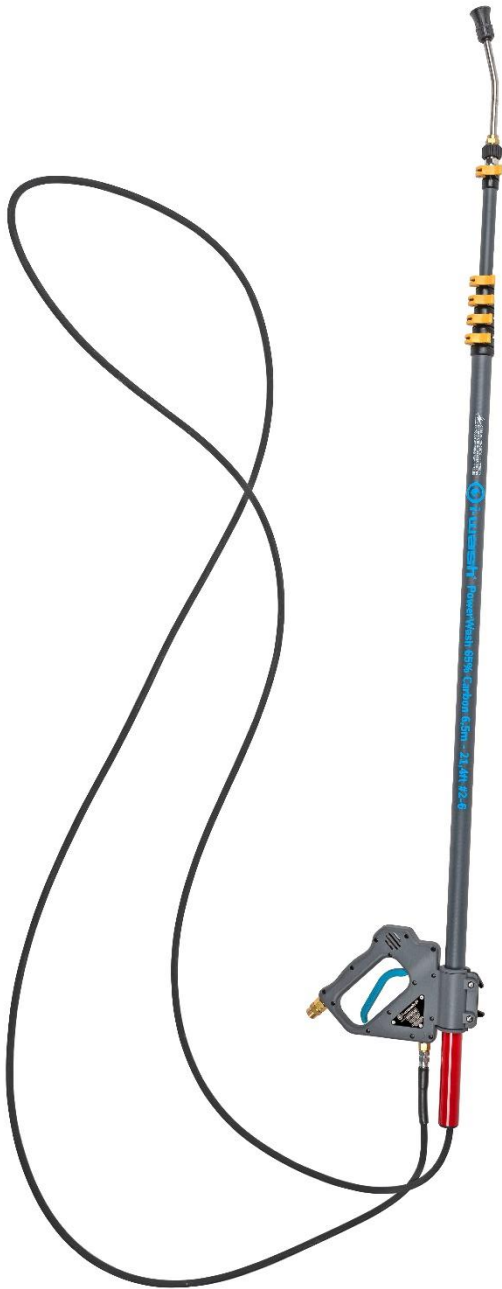


Power Wash[®]

Commercial pressure washer

User manual



i-team Professional b.v.

Hoppenkuil 27b, 5626 DD Eindhoven, The Netherlands

Telephone: +31402662400

Email: hello@i-teamglobal.com

Internet: www.i-teamglobal.com





Original user manual, written in the English Language
Future Cleaning Technologies B.V.
Hoppenkuil 27b, 5626 DD Eindhoven, The Netherlands

Telephone: +31402662400

Email: hello@i-teamglobal.com

Internet: www.i-teamglobal.com

Model:

Date 20/08/2020

Product code:

Version: v.1.0



Preface

Thank you for purchasing the Power Wash®. The best balanced pressure fed pole on the market. The poles are made out of 65% lightweight, ultra strong carbon fiber (i-wash® Basic Reach). The material of the Power Wash can handle temperatures from 0 °C to 90 °C. With its telescopic poles it gives you a working reach of 8 meters. It can handle pressure up to 200 bar and 16 liters of water per minute.

Please read this manual carefully for important information and operating instructions before using the Power Wash. Save this manual for future reference. This Power Wash will provide excellent performance. The best results will be obtained when the Power Wash is:

- regularly maintained per the Power Wash preventive maintenance instructions in this manual;
- operated with reasonable care and caution;
- maintained with manufacturer-supplied parts.

When this manual refers to “the manufacturer” this means: Future Cleaning Technologies B.V., an affiliate company of i-team in Eindhoven, the Netherlands. When this manual mentions “the partner” your local i-team resell and support service partner is referred to.

Purpose of the user manual

The purpose of the user manual is to provide the user with information in such a way that during the life of the Power Wash the tool is used correctly, efficiently and safely, even in the event of reasonably foreseeable misuse, as described in section 1.2 of this manual.

The user manual contains instructions regarding:

- personal operator safety;
- intended and non-intended use of the Power Wash;
- instructions for daily use;
- maintenance instructions;
- storage conditions;
- disposal of the Power Wash.

These instructions must be considered to avoid risks that could lead to physical and/or material damage.

Target audience

This user manual is intended for operators of the Power Wash and their supervisors, as well as partners and importers.




Operators of the Power Wash

The Power Wash may only be operated by a person who has correctly read and understood the instructions in this manual or is trained by an experienced operator who has read and understood the instructions in this manual. Service must be done exclusively by skilled workers using only i-team spare parts. The manufacturer is not responsible or liable for any loss or damage arising from improper service or service done by unskilled workers.



Reading guide

The following symbols and terms are used throughout this manual to alert the reader to safety issues and important information:

Symbol	Term	Explanation
	WARNING	Indicates a hazardous situation which, if the safety instructions are not followed, can lead to injuries of the operator or bystanders, light and/or moderate damage to the product or the environment.
	CAUTION	Indicates a hazardous situation which, if the safety instructions are not followed, can lead to light and/or moderate damage to the product or the environment.
	ATTENTION	Indicates a liability situation, where the manufacturer or its partners and affiliates cannot be held accountable for damages caused by non-compliance.



Content

Preface	3
Purpose of the user manual	3
Target audience.....	3
Operators of the Power Wash.....	3
Reading guide	4
Content	5
1 Introduction	7
1.1 Intended use of the product.....	7
1.2 Non-intended use of the product	8
1.3 Lifespan	8
1.4 Modifications.....	8
1.5 Specifications.....	9
1.6 Warranty	10
1.7 Identification.....	10
2 Description.....	11
3 Safety.....	12
3.1 General safety instructions.....	12
3.2 Risks during operation.....	12
3.3 Risks after operation	12
4 Transport and storage	13
5 Assembly and installation	14
5.1 Unboxing	14
5.2 Assembly	15
5.2.1 Assembling the power handle	15
5.2.2 Assembling the hose	16
6 Operation.....	20
6.1 Before you start	20
6.1.1 Choosing the nozzle that suits your job	20
6.1.2 Installing the correct nozzle for the job.....	21
6.2 Operation procedure.....	22
6.2.1 Adjusting the length of the tubes	22
6.3 Cleaning and storage.....	23
7 Maintenance	24
7.1.1 Adjusting the yellow clamps.....	24



8	Troubleshooting.....	25
9	Decommissioning and disposal	26
10	Attachments.....	27
10.1	CE Certificate	27



1 Introduction

The Power Wash® is an easy and safe tool to use, this manual helps you get started and explains the operation and maintenance procedure.

This manual is intended for those who work with the Power Wash and perform daily maintenance. The manual must be read in full before the first actions. This manual describes the correct method of use, safety measures, maintenance and transport.

i-team continuously improves all their products based on user experience and feedback. Any deviations between the texts and/or images from the manual and your Power Wash can therefore arise from the difference in model or from possible changes due to continuous development and innovation.

1.1 Intended use of the product

The Power Wash is a specialized tool. It is used for outdoors high and low pressure cleaning.

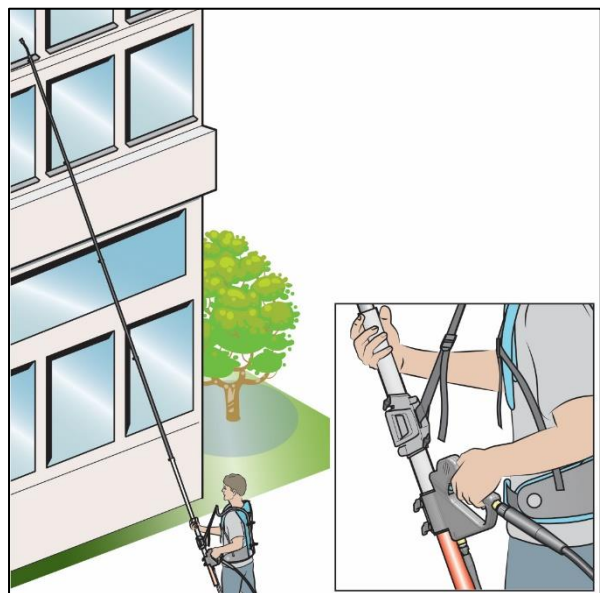


Figure 1

You can use the Power Wash by itself or in combination with the i-suit®. This way you are able to work ergonomically and improve your work performance. The i-suit will also keep the Power Wash balanced.

The Power Wash is always used as a combination of the high pressure power handle and the carbon fiber tubes **2-6** of the i-wash® Basic Reach or i-wash® Pro Reach.

Water on the surface can cause the surface to become slippery; it is advised to mark the floor of the job site with a wet floor sign to warn people. (Please note: the wet floor sign is not part of the Power Wash delivery).

In order to use the Power Wash in combination with the most common available pressure washers, two alternative nozzles are provided optionally (25040 with a 25 ° waterjet angle and 40040 with a 40 ° waterjet angle). More nozzle types are available to suit a big variety of different pressure washers. These nozzles are easy to replace. Use the correct type of nozzle for the flow and pressure of your specific pressure washer. See section 6.1.1.



1.2 Non-intended use of the product



WARNING

Non-intended use can have consequences for the safety of operators and bystanders and will void the warranty on the product.

The Power Wash® is not intended to clean anywhere else than outdoors.

NEVER point the nozzle of the Power Wash at humans or animals or place a person or animal in the water stream.

DO NOT fill the Power Wash with anything other than clear water and detergents commonly used and advised for the pressure washer. Using other products will void the manufacturer's warranty.

In case you use the high pressure power handle in combination with a standard i-wash® Basic Reach or the i-wash® Pro Reach **NEVER** use it with the smallest tube attached. It should always be removed before use in combination with the high pressure power handle to avoid instability.

1.3 Lifespan

For a long lifespan of the Power Wash, clean it and check it on damage after use.

1.4 Modifications

It is not permitted to make modifications to the design of the Power Wash without consultation and permission from the manufacturer. This affects the warranty, refer to section 1.6 of this manual.



1.5 Specifications

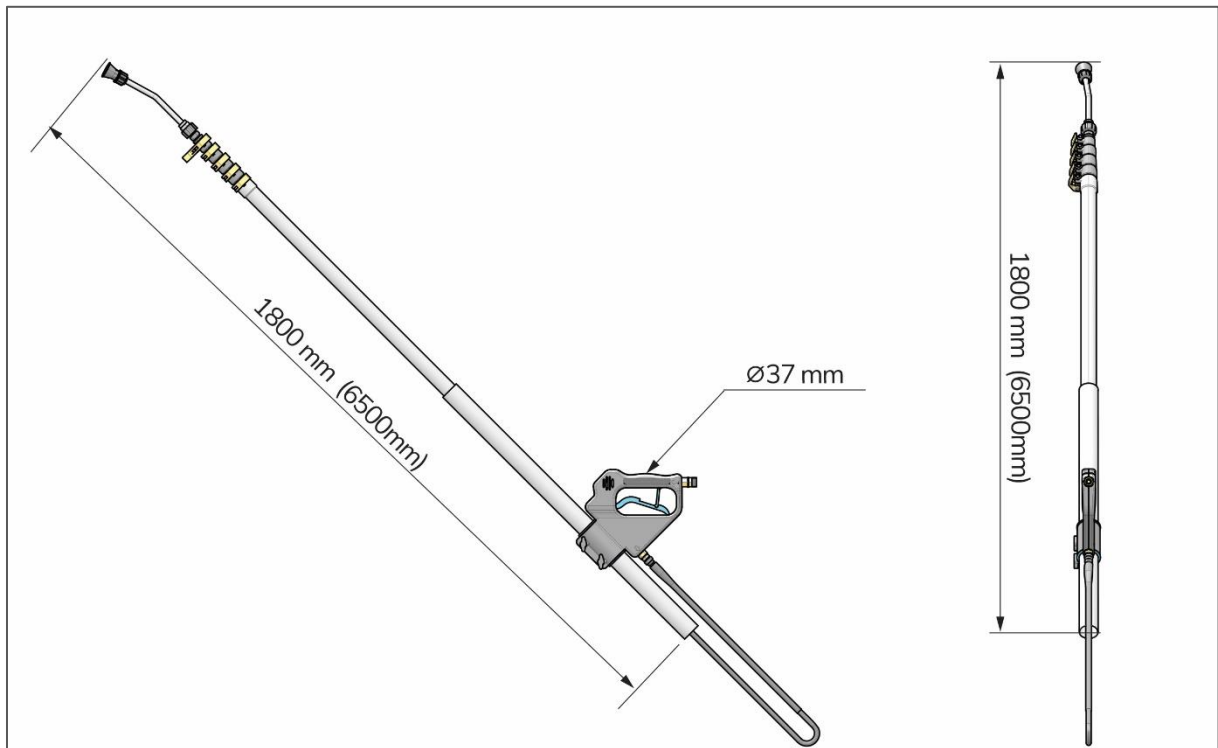


Figure 2

Retracted length:	1800 mm
Extended length:	6500 mm
Work reach:	8000 mm
Handle diameter:	37 mm
Weight:	4.1 kg
Maximum pressure:	200 Bar 2900 PSI
Maximum flow:	16 l/min 4.2 Gallon/min
Maximum temperature*:	90 °C 194 Fahrenheit
Inlet:	3/8 NPT F
Outlet:	1/4 NPT F
Material tubes i-wash® Basic Reach:	65% carbon fiber and 35% glass fiber
Material tubes i-wash® Pro Reach;	100% carbon fiber

* The lance has been designed and tested to work properly with liquids at 90 °C/194 Fahrenheit, but for a short period of time 100 °C/212 Fahrenheit can be used.



1.6 Warranty

The Power Wash® should only be operated with the materials supplied. Using alternative supplies may cause damage to the Power Wash and may cause a risk to the operator. The use of alternative supplies voids manufacturer's warranty. Service must be done exclusively by skilled workers using only i-team spare parts. The manufacturer is not responsible or liable for any loss or damage arising from improper service or service done by unskilled workers.

1.7 Identification

Each Power Wash has a unique identification number that can be found on the side of the handle. Your i-team dealer needs this number when you order parts.

Explanation type plate:



Model: i-wash -P

Serial number:

Figure 3



2 Description

You can buy the Power Wash® high pressure power handle separately (see section 5.1) from the i-wash® Basic Reach or the i-wash® Pro Reach.

In order to have a working product you need to combine the Power Wash high pressure power handle with the i-wash Basic Reach or the i-wash Pro Reach. Therefore the description in this manual is always for both items.

The Power Wash consists of:

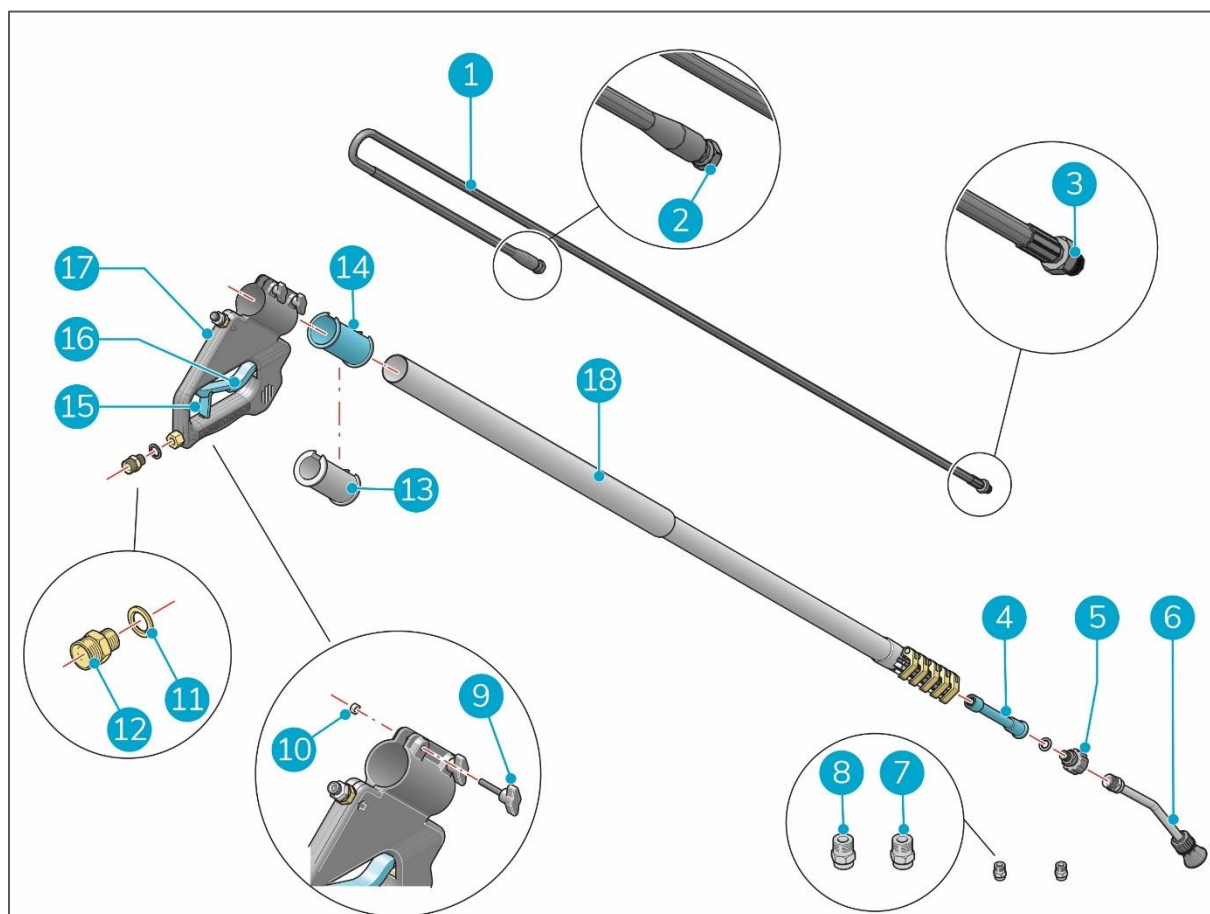


Figure 4

Legend

1. A hose assembly with connector 7.25 M, ¼".
2. A transition joint G1/4" M-M.
3. A combination NBR washer for G1/4" (2x).
4. An i-wash adaptor ¼" - ¼".
5. A screw joint.
6. A bend tube 200 MM.
7. A thread with tape nozzle 25040 SUS304.
8. A thread with tape nozzle 40040 SUS304.
9. A wing tumb screw, plastic, M6 x 35 (2x).
10. A nylon insert nut, M6 SS (2x).
11. A combination NBR washer for G3/8".
12. A screw brass nipple.
13. A silicone rubber sleeve (ID = 37 mm).
14. A silicone rubber sleeve (ID = 46 mm).
15. A trigger lock.
16. A gun trigger.
17. A high pressure power handle.
18. A carbon fiber tube 2-6 # (i-wash Reach).



3 Safety

Safety comes first. Therefore, please take your time to read and understand these safety instructions. Improper use can cause harm or void the manufacturer's warranty.

3.1 General safety instructions



WARNING

NEVER stand in front of the water stream.

3.2 Risks during operation



WARNING

Beware of overhead powerlines. Contacting these lines may result in electrocution, injury, or even death.



WARNING

Never point the nozzle of the Power Wash® at humans or animals or place a person or animal in the water stream.



WARNING

Serious injury can result from the high-pressure discharge produced by pressure washer unit.



WARNING

When operating pressure washer always stand on a solid stable surface. Do not stand on ladders, chairs and so on.

3.3 Risks after operation



WARNING

Prevent accidental discharge from the gun when you've finished spraying. Always use the trigger lock.



4 Transport and storage

- clean the Power Wash® with a damp cloth before you store it;
- secure the Power Wash during transport.



5 Assembly and installation

5.1 Unboxing

In this section the unboxing of the high pressure power handle is described. The i-wash® Basic Reach or the i-wash® Pro Reach will be delivered in a separate box. For unboxing, please read the user manual of the i-wash Basic Reach or i-wash Pro Reach.

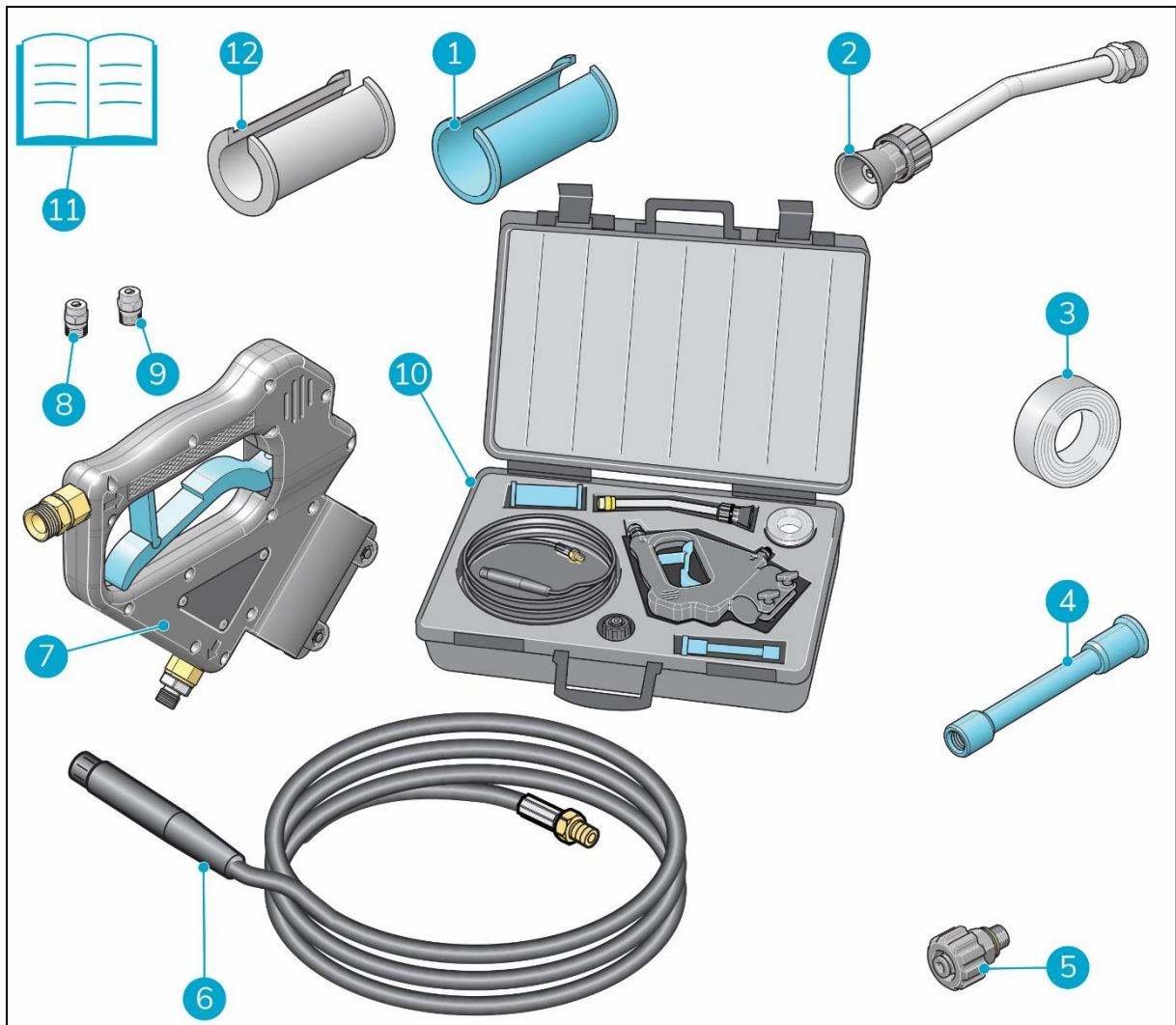


Figure 5

- | | |
|------------------------------|---|
| 1. 1x rubber hose grip 46 mm | 7. 1x high pressure power handle |
| 2. 1x bend tube | 8. 1x nozzle 25040 with a 25 ° waterjet angle |
| 3. 1x tape roll | 9. 1x nozzle 40040 with a 40 ° waterjet angle |
| 4. 1x i-wash adaptor | 10. 1x suitcase |
| 5. 1x screw joint | 11. 1x this manual |
| 6. 1x hose | 12. 1x rubber hose grip 37 mm |



5.2 Assembly

5.2.1 Assembling the power handle



ATTENTION

There are two types of rubber hose grips; grey (Ø 37 mm) and blue (Ø 46 mm). The grey rubber hose grip is for carbon fiber tubes 2-6. The blue rubber hose grip is for carbon fiber tubes 7-9.

1. Turn the two wing screws (Figure 6, pos 2) anticlockwise to loosen them.
2. Insert the grey or blue rubber hose grip in the power handle (Figure 6, pos 1). Depending of which type of tubes you use.

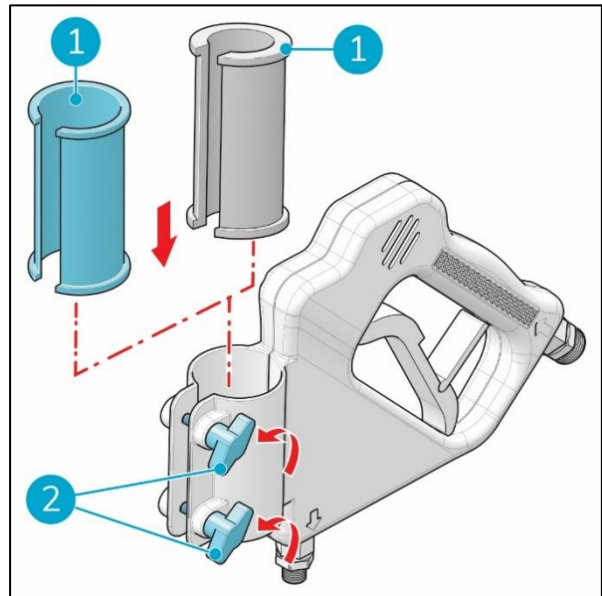


Figure 6

Hold the power handle in front of you with the connection holes (Figure 7, pos 1) on the left side.

3. Insert the selected tube into the power handle, from right to left. The red marking first (Figure 7, pos 2).
4. Turn the two wing screws (Figure 7, pos 3) clockwise to tighten them. Make sure that the complete red marking is visible (Figure 7, pos 2).

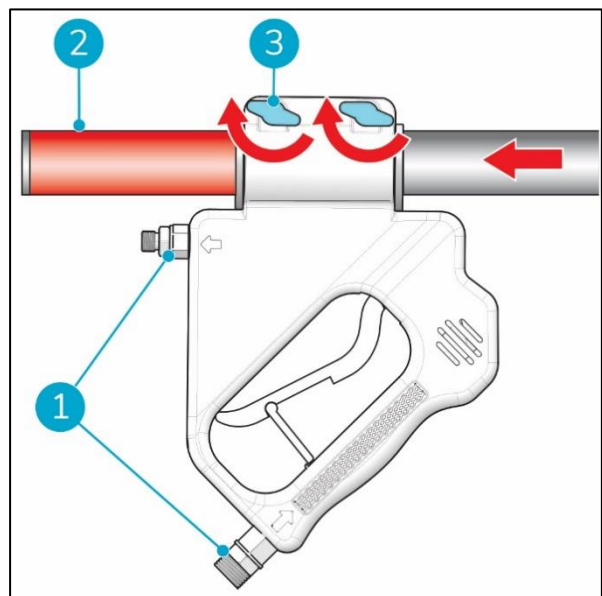


Figure 7



5.2.2 Assembling the hose

The hose has two different ends.

One end of the hose has a rubber cover (Figure 8, pos 1) for connecting to the power handle.

The other end of the hose, without the rubber cover (Figure 8, pos 2), should go through the carbon tube.

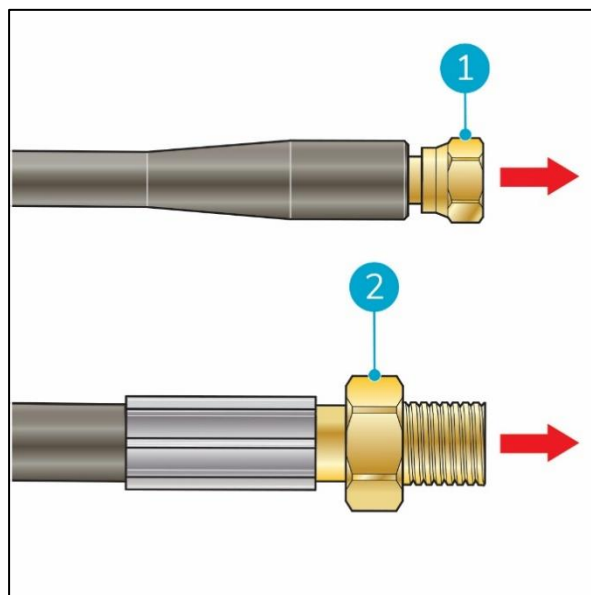


Figure 8

1. Unlock the yellow clamp of the smallest carbon tube (Figure 9, pos 1).
2. Push the end of the hose without rubber cover (Figure 9, pos 2) through the carbon tube until it appears at the other end of the carbon tube.
3. Push the hose out approximately 5 cm for easy assembly (Figure 9, pos 3).

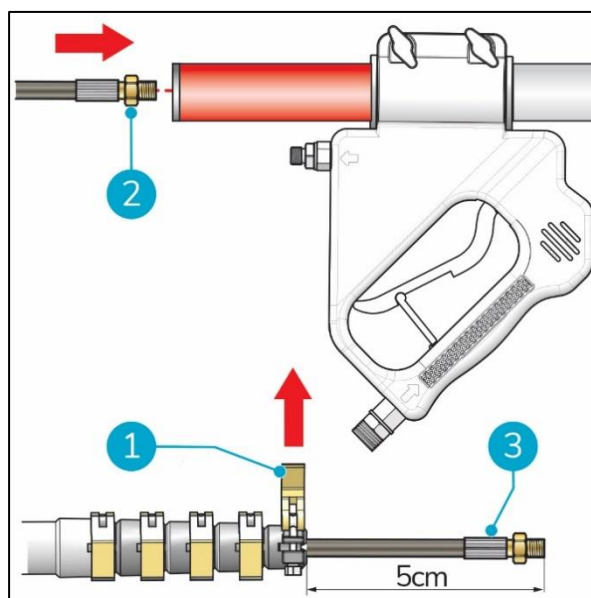


Figure 9

4. Connect the adaptor with the hose (Figure 10, pos 1). Ensure that the correct side of the adaptor (Figure 10, pos 2) connects to the hose.
5. Hold the adaptor with a pipe wrench (Figure 10, pos 4) and turn the nut (Figure 10, pos 3) clockwise with a 19 mm wrench to tighten it.

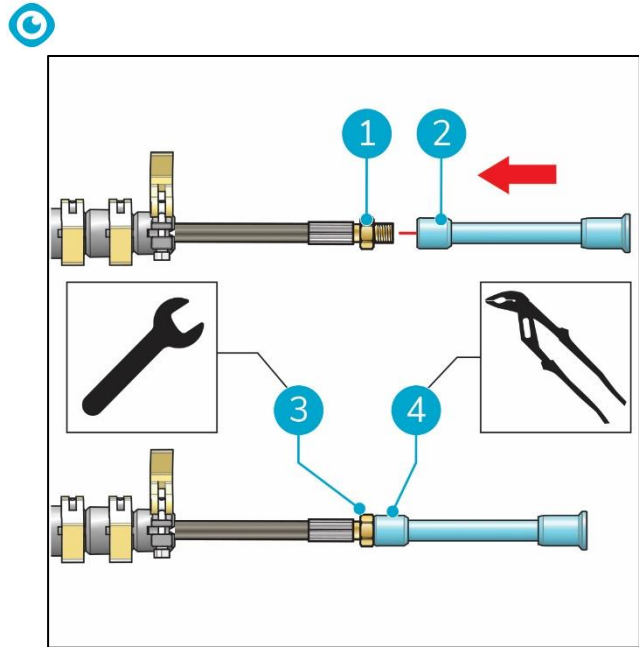


Figure 10

6. Connect the screw joint to the adaptor (Figure 11, pos 1), hold the adaptor.
7. Hold the adaptor with a pipe wrench (Figure 11, pos 3) and turn the nut (Figure 11, pos 2) clockwise with a 22 mm wrench to tighten it.

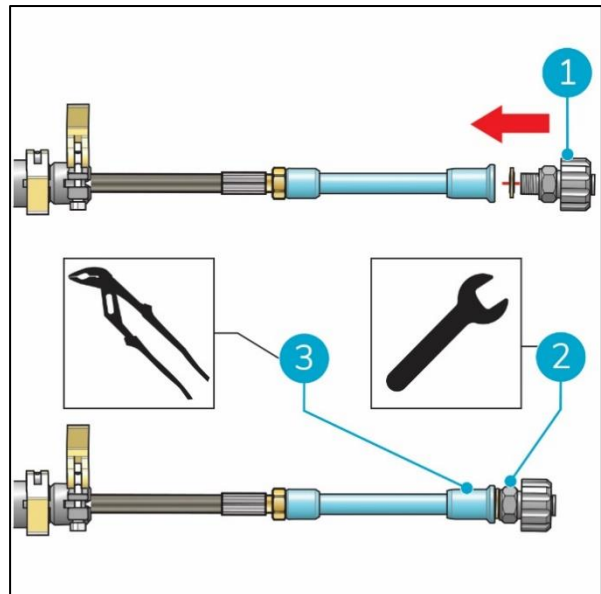


Figure 11



8. Connect the bend tube with the adaptor (Figure 12, pos 1).
9. Turn the screw joint (Figure 12, pos 2) clockwise to tighten it whilst holding the bend tube.
10. Turn the nut clockwise with a 22 mm wrench (Figure 12, pos 3) to tighten it.

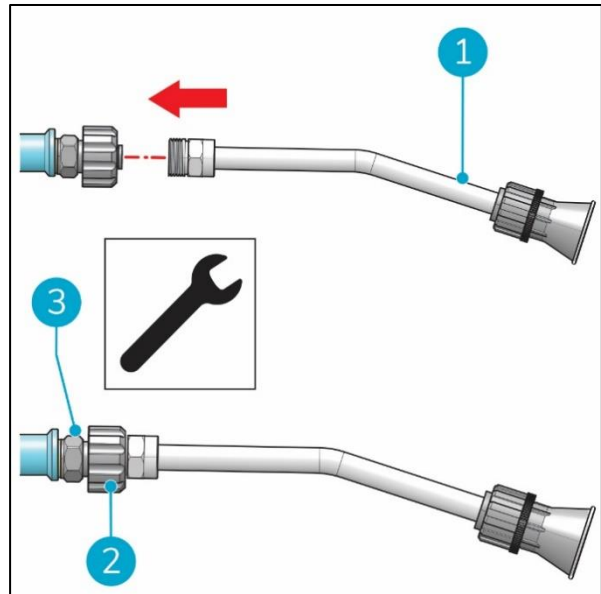


Figure 12

11. Push the adaptor and bend tube assembly into to the tube until the adaptor is completely inside the tube (Figure 13, pos 1).
12. Lock the yellow clamp (Figure 13, pos 2) to tighten the adaptor in the carbon tube.

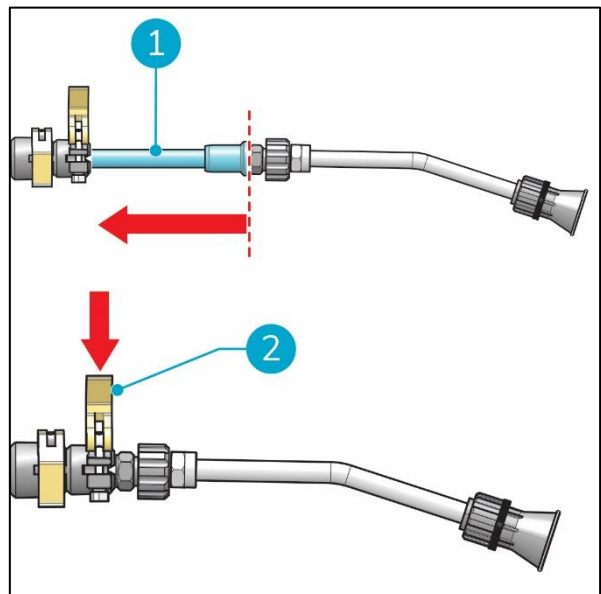


Figure 13

13. Check the nut of the transition joint (Figure 14, pos 1), turn clockwise with a 19 mm wrench to tighten it, in case it is loose.
14. Connect the hose with the rubber cover to the power handle and turn the nut clockwise with a 19 mm wrench (Figure 14, pos 2) to tighten it.

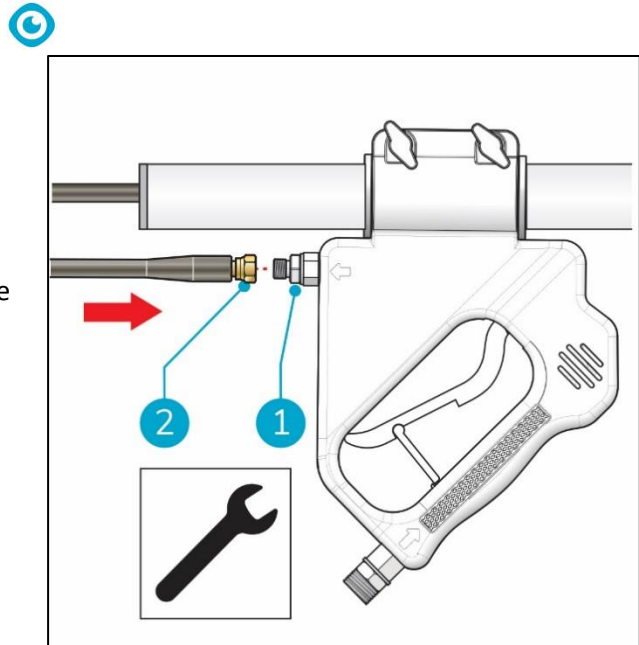


Figure 14



ATTENTION

For the next step, use a flexible high pressure hose with a maximum diameter of 13 mm.

15. Check the nut (Figure 15, pos 1), turn clockwise with a 22 mm wrench to tighten it, in case it is loose.
16. Turn the outlet of the pump or adaptor (Figure 15, pos 2) clockwise by hand, to connect it with the inlet of the power handle.
17. Start the pump and check for leaks.

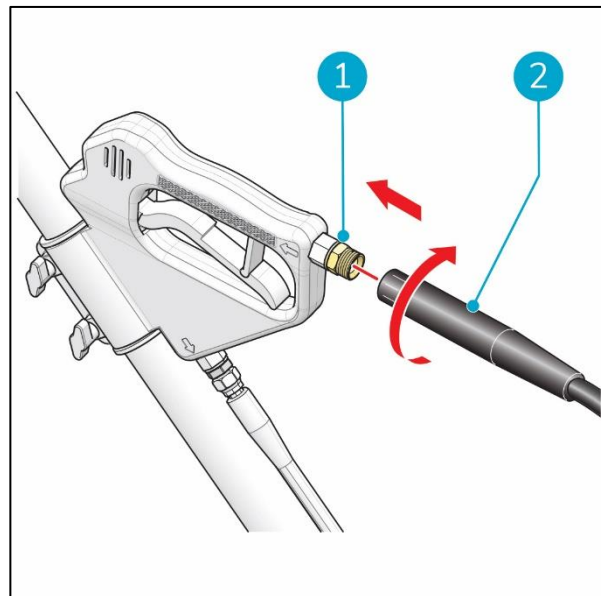


Figure 15



6 Operation

6.1 Before you start



ATTENTION

Make sure connections are secure. Hold the gun securely while starting the pressure washer unit to prevent accidental discharge from the gun.

- use fresh water and common detergents;
- filter any impure fluid before using it;
- check that the lance and nozzle are compatible with the settings of the pressure water pump, in order not to exceed the maximum pressure or temperature.

TIP:

Use the Power Wash® in combination with the i-suit® for perfect balance when working longer periods of time.

6.1.1 Choosing the nozzle that suits your job

The type of nozzle that you need to work with in combination with your power washer depends on two things; the pump pressure and the water yield per minute. In Table 1 below you have an overview of all possible combinations for the Power Wash.

		Pressure in bar						
		120	130	140	150	160	175	200
Nozzle type	∅	-	-	-	-	-	--	
035	1.1	8.6	8.9	9.2	9.5	9.8	10.3	11
04	1.21	10.3	10.7	11.1	11.5	11.9	12.4	13.3
045	1.26	10.9	11.4	11.8	12.2	12.6	13.2	14.1
05	1.33	12.4	12.9	13.4	13.8	14.3	14.9	16
055	1.39	13.6	14.1	14.7	15.2	15.7	16.4	-
06	1.46	14.9	15.5	16	16.7	-	-	-
065	1.52	-	16.8	-	-	-	-	-

Table 1

Example how to use the table.

For instance your pressure cleaner has a pump pressure of 150 bar and a water yield of 15 l/min.

Look in the top bar of the table for the correct pressure, in this case 150 (bar). Look in the column below "150" for the number of your water yield. Look for the number that is close that of your actual yield. In this case 15,2. In the column "Nozzle type" you'll find the nozzle you'll need, in this case it is "055".



ATTENTION

It is important to choose the correct nozzle. A too small type of nozzle will switch off your power washer or switch to bypass. A too big type of nozzle will cause pressure loss.



6.1.2 Installing the correct nozzle for the job



CAUTION

Before changing the nozzles always turn off the pressure washer and the water supply. Depressurize the Power Wash® with the gun trigger, until all of the water has been drained out of the Power Wash.

1. Turn the outer ring counterclockwise to loosen it (Figure 16, pos 1).
2. Remove the protection cover (Figure 16, pos 2).
3. Turn the nozzle counterclockwise to remove it (Figure 16, pos 3). Use a 14 mm wrench.
4. Select the desired nozzle for the specific job, see section 6.1.1.
5. Turn the new nozzle clockwise to tighten it (Figure 16, pos 4). Use a 14 mm wrench.
6. Place the protection cover (Figure 16, pos 5). Back and turn the outer ring (Figure 16, pos 6) clockwise to tighten it.

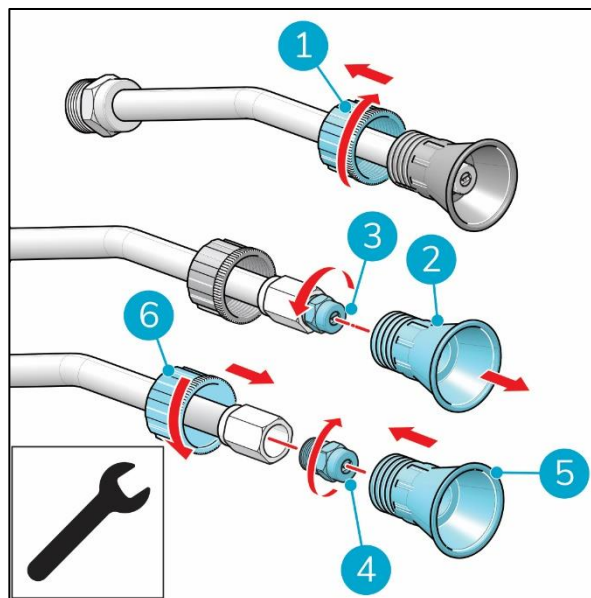


Figure 16



6.2 Operation procedure



WARNING

DO NOT fully extend the telescopic tube. A minimum of 10 cm (6,5 inches) must remain inside each section of the tube for stability. This is marked by a red color.



ATTENTION

- wear safety glasses when operating the Power wash®;
- wear footwear with an anti-slip sole as wet floors can get slippery.

1. Release the trigger lock (Figure 17, pos 1).
2. Pull the gun trigger (Figure 17, pos 2) carefully and adjust the pressure from the high-pressure cleaner to obtain the correct working pressure, starting from low to high. This will avoid dangerous pressure spikes.
3. When you have set the correct pressure, start washing.

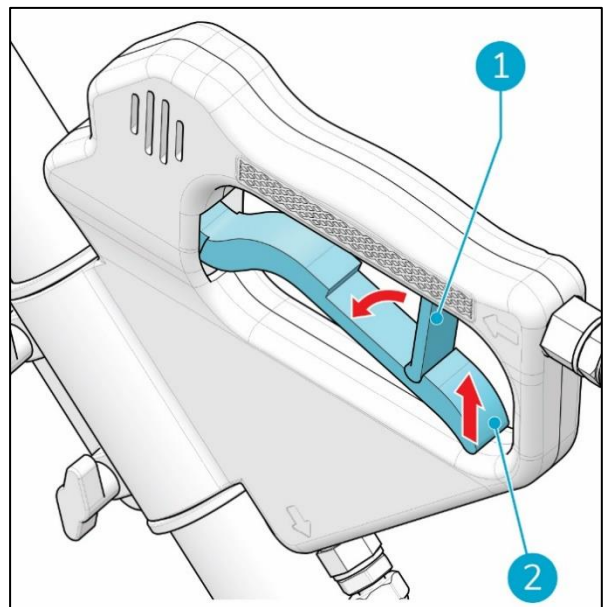


Figure 17

6.2.1 Adjusting the length of the tubes

1. Unlock the yellow clamp (Figure 18, pos 1) and then pull the tube out (Figure 18, pos 2).
2. Lock the yellow clamp (Figure 18, pos 1) to fixate the tube, check that the tube cannot move anymore.
3. Repeat this for the amount of tubes to reach the desired working length.

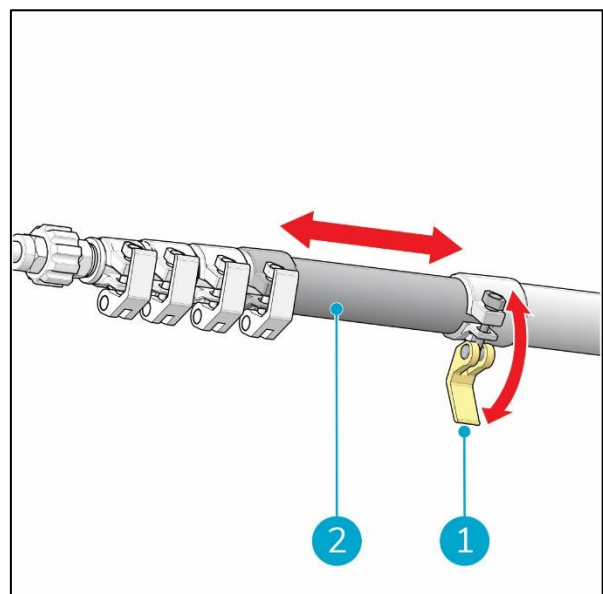


Figure 18



ATTENTION

To prevent accidental discharge from the gun always use the trigger lock when you've finished spraying.

6.3 Cleaning and storage

- before storing the Power Wash®, turn off the pressure washer and close the water supply; depressurize the gun trigger until all of the water has been drained out of the unit;
- disconnect any accessory;
- clean the Power Wash before storing;
- store the Power Wash in a cool, dark area.



7 Maintenance



CAUTION

Always turn off the pressure washer and the water supply. Depressurize the Power Wash® with the gun trigger, until all of the water has been drained out of the Power Wash, before removing or cleaning accessories or changing nozzles.

7.1.1 Adjusting the yellow clamps

Approximately once per month, depending from the work intensity, you need to adjust the tension of the yellow clamps. This is to keep the correct tension, so the tubes stay fixated when you tighten the clamp.

1. Unlock the yellow clamp (Figure 19, pos 2).
2. Turn the yellow knob at the side of the clamp (Figure 19, pos 1) clockwise to strengthen, or anti-clockwise to loosen the tightness of the clamp.
3. Lock the yellow clamp.

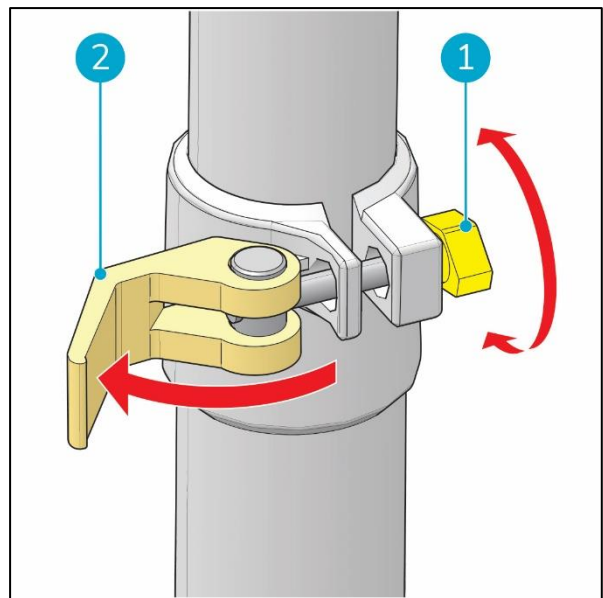


Figure 19



ATTENTION

All other maintenance and service activities must be done exclusively by skilled workers using only i-team spare parts. The manufacturer is not responsible or liable for any loss or damage arising from improper service or service done by unskilled workers.



8 Troubleshooting

Problem	Cause	Solution
Connection leaks	Loose connection	Tighten connection.
	Sealant worn	Reapply pipe tape.
	O-ring is worn	Replace O-ring.
Power Wash® does not spray	Power supply is off	Check that the power connector is correctly placed into the wall socket.
	No water supply	Check that the water supply connection is correctly connected.
	Power Wash is clogged	Flush the hoses with water.



9 Decommissioning and disposal



ATTENTION

It is the responsibility of the Power Wash® owner to dispose of the product responsibly.

At the end-of-life the Power Wash still contains valuable resources and needs to be disposed of according to your local laws and regulations regarding recycling of electrical equipment.



Before disposal please:

1. Drain the Power Wash.
2. Remove all loose components like the nozzles.
3. Dispose all items according to your local laws and regulations.

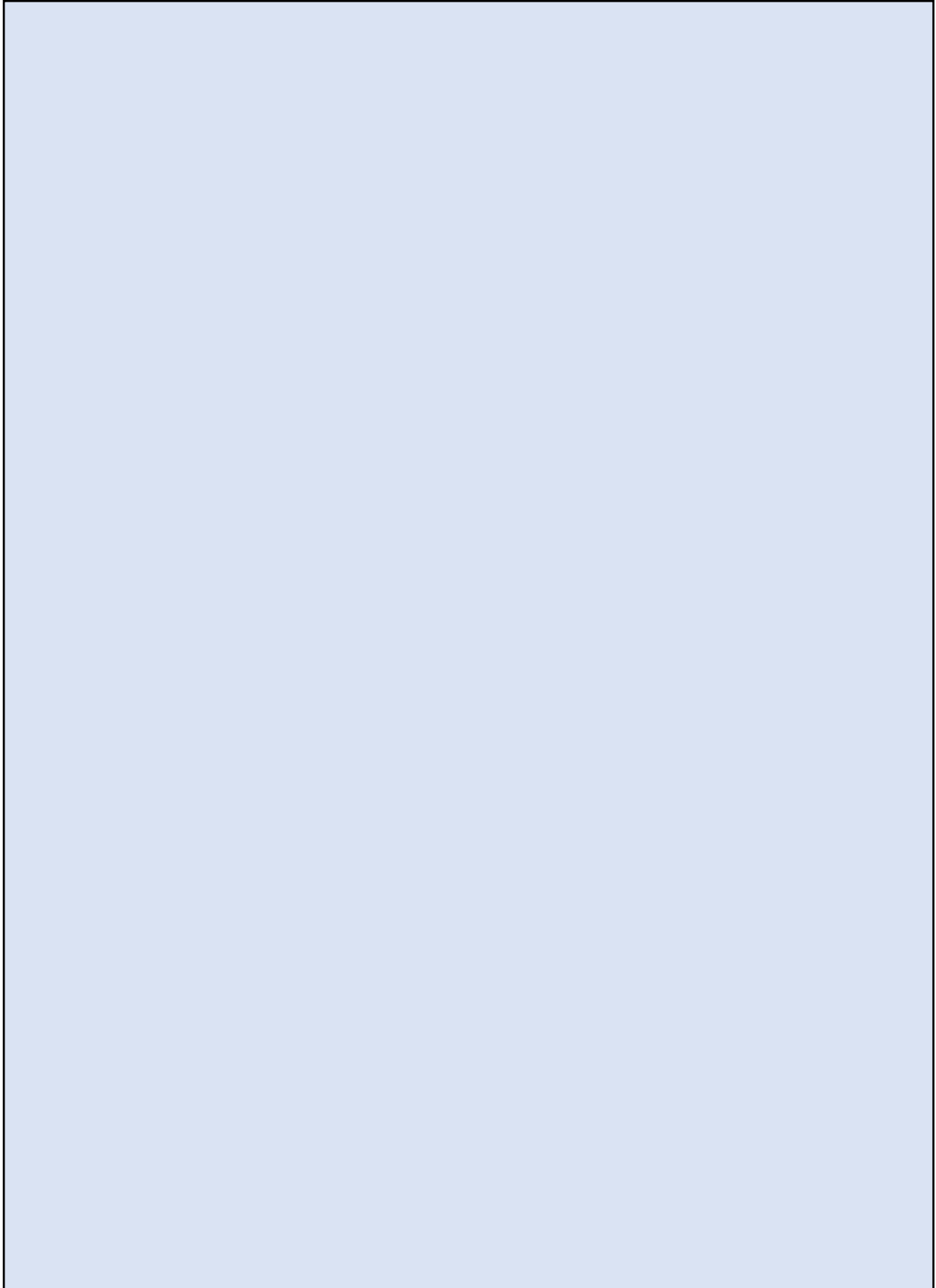
TIP:

Contact you local i-team partner to explore all possibilities of returning components at the end-of-life of your Power Wash.



10 Attachments

10.1 CE Certificate





This document is part of the technical file of the Power Wash® and will be available upon request.