

# i-wash<sup>®</sup> Basic/Pro Reach

One pole to rule them all

## User manual



**i-team Professional b.v.**

Hoppenkuil 27b, 5626 DD Eindhoven, The Netherlands

Telephone: +31402662400

Email: [hello@i-teamglobal.com](mailto:hello@i-teamglobal.com)

Internet: [www.i-teamglobal.com](http://www.i-teamglobal.com)





Original user manual, written in the English Language  
Future Cleaning Technologies B.V.  
Hoppenkuil 27b, 5626 DD Eindhoven, The Netherlands

---

Telephone: +31402662400

Email: [hello@i-teamglobal.com](mailto:hello@i-teamglobal.com)  
Internet: [www.i-teamglobal.com](http://www.i-teamglobal.com)

---

Model:

Date: 22/09/2020

Product code:

Version: v.2.0



## Preface

Thank you for purchasing the i-wash® Basic or Pro Reach. With the i-wash Basic or Pro Reach you can keep your feet on the ground and work at heights up to 9,5 meters using just one telescopic pole set and even up to 18 meters with 3 extra modular poles (only in combination with the Pro version). Use the i-wash Basic or Pro Reach in combination with the Power wash® high pressure power handle to create a power washer that can handle up to 200 bar and 16 liters of water per minute.

Please read this manual carefully for important information and operating instructions before using the i-wash Basic or Pro Reach. Save this manual for future reference. The i-wash Basic or Pro Reach will provide excellent performance. The best results will be obtained when the i-wash Basic or Pro Reach is:

- regularly maintained per the i-wash Basic/Pro Reach preventive maintenance instructions in this manual;
- operated with reasonable care and caution;
- maintained with manufacturer-supplied parts.

When this manual refers to “the manufacturer” this means: Future Cleaning Technologies B.V., an affiliate company of i-team in Eindhoven, the Netherlands. When this manual mentions “the partner”, your local i-team resell and support service partner is referred to.

## Purpose of the user manual

The purpose of the user manual is to provide the user with information in such a way that during the life of the i-wash Basic or Pro Reach, these are used correctly, efficiently and safely, even in the event of reasonably foreseeable misuse, as described in section 1.2 of this manual.

The user manual contains instructions regarding:

- personal operator safety;
- intended and non-intended use of the i-wash Basic or Pro Reach;
- instructions for daily use;
- maintenance instructions;
- storage conditions;
- disposal of the i-wash Basic or Pro Reach.

These instructions must be considered to avoid risks that could lead to physical and/or material damage.

## Target audience

This user manual is intended for operators of the i-wash Basic or Pro Reach and their supervisors, as well as partners and importers.




## Operators of the Power wash

The i-wash Basic and Pro Reach may only be operated by a person who has correctly read and understood the instructions in this manual or is trained by an experienced operator who has read and understood the instructions in this manual.



## Reading guide

The following symbols and terms are used throughout this manual to alert the reader to safety issues and important information:

Symbol	Term	Explanation
	<b>WARNING</b>	Indicates a hazardous situation which, if the safety instructions are not followed, can lead to injuries of the operator or bystanders, light and/or moderate damage to the product or the environment.
	<b>CAUTION</b>	Indicates a hazardous situation which, if the safety instructions are not followed, can lead to light and/or moderate damage to the product or the environment.
	<b>ATTENTION</b>	Indicates a liability situation, where the manufacturer or its partners and affiliates cannot be held accountable for damages caused by non-compliance.



# Content

Preface .....	3
Purpose of the user manual .....	3
Target audience .....	3
Operators of the Power wash .....	3
Reading guide.....	4
Content .....	5
1 Introduction.....	7
1.1 Intended use of the product.....	7
1.2 Non-intended use of the product.....	8
1.3 Lifespan.....	8
1.4 Modifications.....	8
1.5 Specifications.....	8
1.5.1 i-wash® Basic Reach .....	8
1.5.2 i-wash® Pro Reach .....	9
1.5.3 Extensions (option) .....	9
1.6 Warranty.....	9
2 Description .....	10
2.1 Extensions tubes for the i-wash Pro Reach .....	10
3 Safety.....	11
3.1 Risks during operation.....	11
4 Transport and storage .....	12
5 Assembly and installation.....	13
5.1 Unboxing.....	13
5.2 Assembly.....	13
5.2.1 Assembling the Power Wash® .....	13
6 Operation .....	14
6.1 Before you start .....	14
6.1.1 Changing the brush or pad .....	14
6.1.2 Changing the gooseneck .....	15
6.2 Operation procedure .....	16
6.2.1 Adjusting the length of the tubes.....	16
6.2.2 Adding extension parts.....	17
6.2.3 Adjusting the working angle of the gooseneck .....	17
6.3 Operation with the high pressure power handle .....	17
6.4 Cleaning and storage .....	18



7	Maintenance .....	19
7.1	Adjusting the yellow clamps .....	19
8	Troubleshooting .....	20
9	Decommissioning and disposal .....	21



# 1 Introduction

This manual describes both the i-wash® Basic and Pro Reach as these two tools are almost identical. The difference is that the i-wash Pro Reach is made of 100% carbon fiber and can be combined with extension poles. The i-wash Basic and Pro Reach are easy and safe tools to use, this manual helps you get started and explains the operation and maintenance procedure.

This manual is intended for those who work with the i-wash Basic or Pro Reach and perform daily maintenance. The manual must be read in full before the first actions. This manual describes the correct method of use, safety measures, maintenance and transport.

i-team Global continuously improves all their products based on user experience and feedback. Any deviations between the texts and/or images from the manual and your i-wash Basic or Pro Reach can therefore arise from the difference in model or from possible changes due to continuous development and innovation.

## 1.1 Intended use of the product

The i-wash Basic and Pro Reach are specialized tools. The tools are used for outdoor cleaning. The brush (Figure 1, pos 1) is used for glass surfaces (Figure 1, pos 2) and the pad (Figure 1, pos 4) is used for painted or coated surfaces (Figure 1, pos 3).

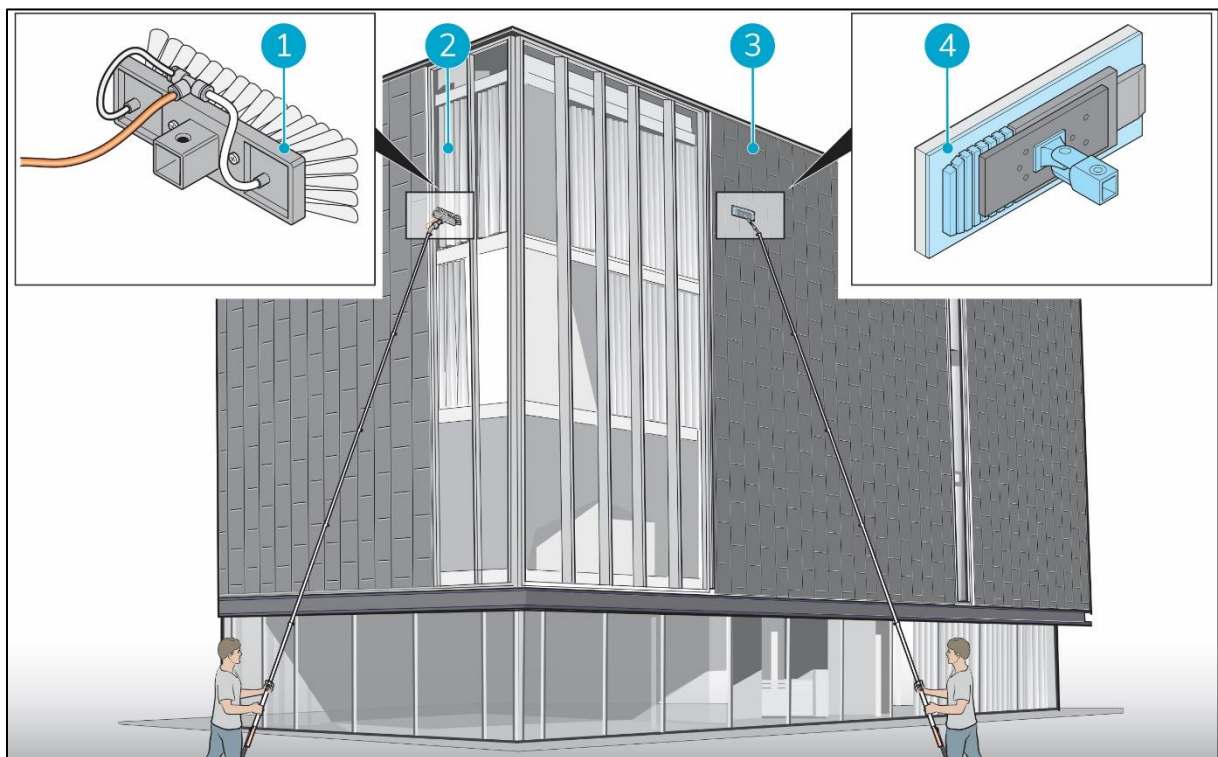


Figure 1

Water on the surface can cause the surface to become slippery; it is advised to mark the floor of the job site with a wet floor sign to warn people. (Please note: the wet floor sign is not part of the i-wash Basic or Pro Reach delivery).



## 1.2 Non-intended use of the product



### WARNING

Non-intended use can have consequences for the safety of operators and bystanders and will void the warranty on the product.

The i-wash® Basic and Pro Reach are not intended to clean anywhere else than outdoors.

**DO NOT** use anything other than demineralized or deionized water.

## 1.3 Lifespan

For a long lifespan of the i-wash Basic or Pro Reach, clean it and check it on damage after each use.

## 1.4 Modifications

It is not permitted to make modifications to the design of the i-wash Basic or Pro Reach without consultation and permission from the manufacturer. This affects the warranty, refer to section 1.6 of this manual.

## 1.5 Specifications

### 1.5.1 i-wash® Basic Reach

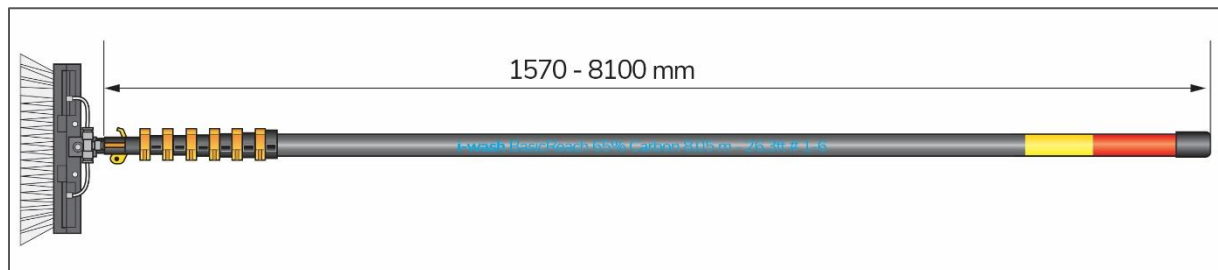


Figure 2

Retracted length:	1570 mm
Extended length:	8100 mm
Work reach:	9500 mm
Handle diameter:	37 mm
Weight:	1.8 kg
Material tubes:	65% carbon fiber and 35% glass fiber
Extension:	Not available





### 1.5.2 i-wash® Pro Reach

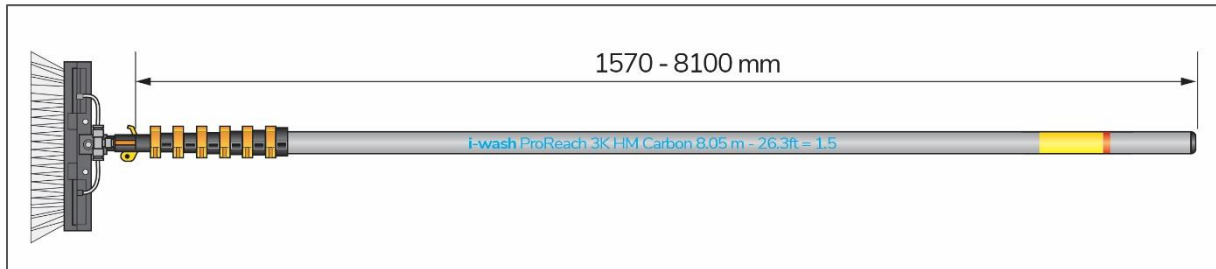


Figure 3

Retracted length:	1570 mm
Extended length:	8100 mm
Work reach:	9500 mm
Handle diameter:	37 mm
Weight:	1.69 kg
Material:	100% carbon fiber

### 1.5.3 Extensions (option)

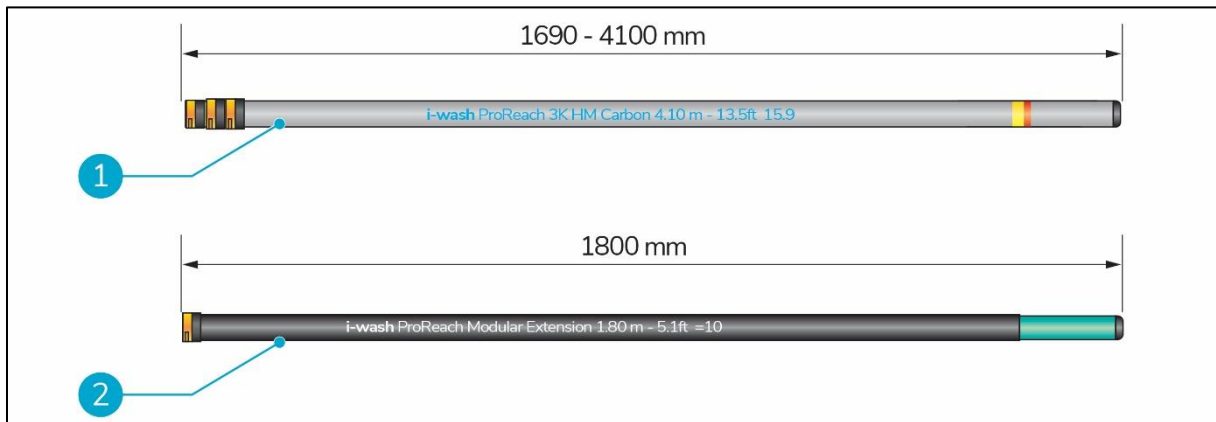


Figure 4

1 (3 pieces):	Pole length retracted 1690 mm, extended 4100 mm, working height up to 18000 mm.
2 (single piece):	Pole length 1800 mm, working height up to 13500 mm.

## 1.6 Warranty

The i-wash® Basic or Pro Reach should only be operated with the materials supplied. Only use demineralized or deionized water. Using other products will void the manufacturer's warranty. Using alternative supplies may cause damage to the i-wash Basic or Pro Reach and may cause a risk to the operator. The use of alternative supplies voids manufacturer's warranty.



## 2 Description

The i-wash® Basic and Pro Reach consist of 6 tubes and a brush or pad. The tubes have a yellow marking to warn that you are almost at the end of the tube. The red marking indicates the end of the tube. At the bottom end of the tubes a protection cover protects the carbon fiber of the tube. See Figure 5.

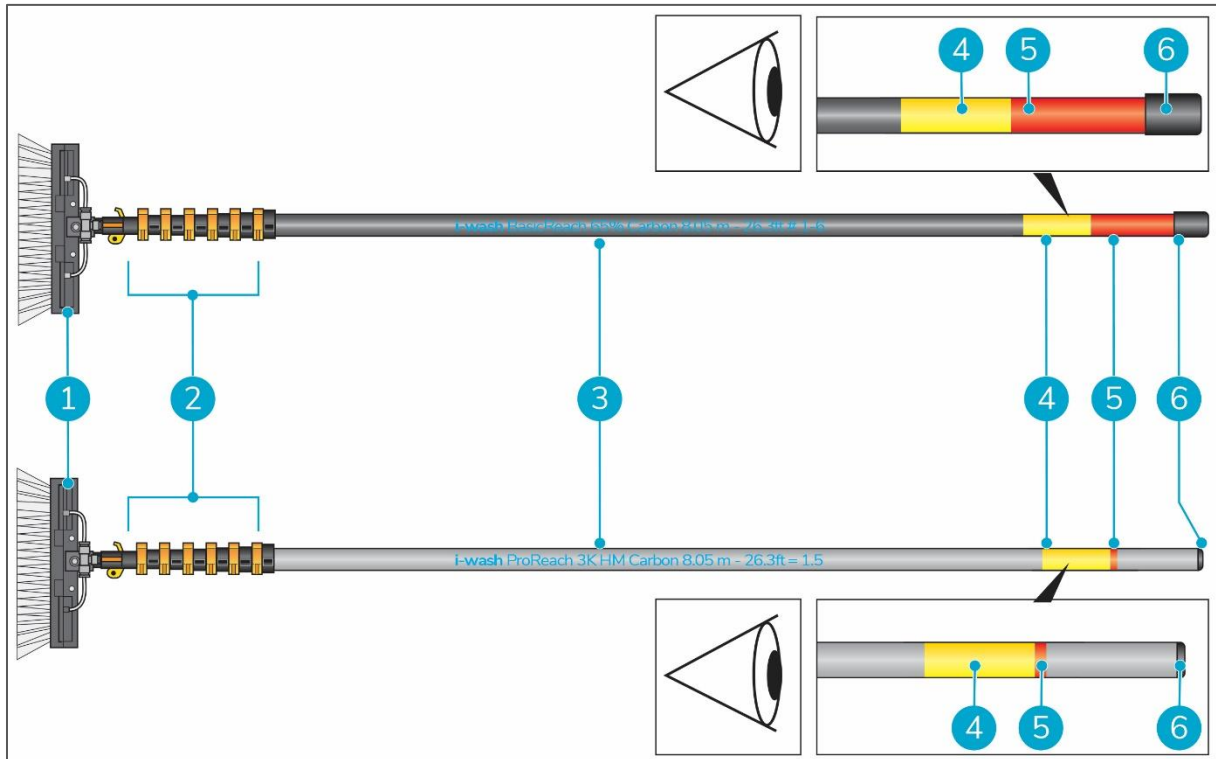


Figure 5

### Legend

- |                                |                        |
|--------------------------------|------------------------|
| 1. A brush.                    | 4. A yellow marking.   |
| 2. A smart clamp (6x).         | 5. A red marking.      |
| 3. A tube (six for each type). | 6. A protection cover. |

### 2.1 Extensions tubes for the i-wash Pro Reach

For the i-wash Pro Reach you can buy an 1 piece and a 3 piece extension unit, see section 1.5.3. With these, the working height is extended to 13.5 m (single piece) or 18 m (3 pieces).



## 3 Safety

Safety comes first. Therefore, please take your time to read and understand these safety instructions. Improper use can cause harm or void the manufacturer's warranty.

### 3.1 Risks during operation



#### **WARNING**

Carbon conducts electricity:

- **DO NOT** use in thunderstorms, this may result in electrocution, injury, or even death;
- beware of overhead powerlines. Contacting these lines may result in electrocution, injury, or even death.



#### **WARNING**

When operating the i-wash® Basic or Pro reach, always stand on a solid stable surface. **DO NOT** stand on ladders, chairs and so on.



## 4 Transport and storage

- clean the i-wash® Basic or Pro Reach with a damp cloth before you store it;
- secure the i-wash Basic or Pro Reach during transport.



## 5 Assembly and installation

### 5.1 Unboxing

In this section the unboxing of the i-wash® Basic Reach (Figure 6, pos 4) is described. The contents of the box for the i-wash® Pro Reach are identical to that of the i-wash Basic Reach.

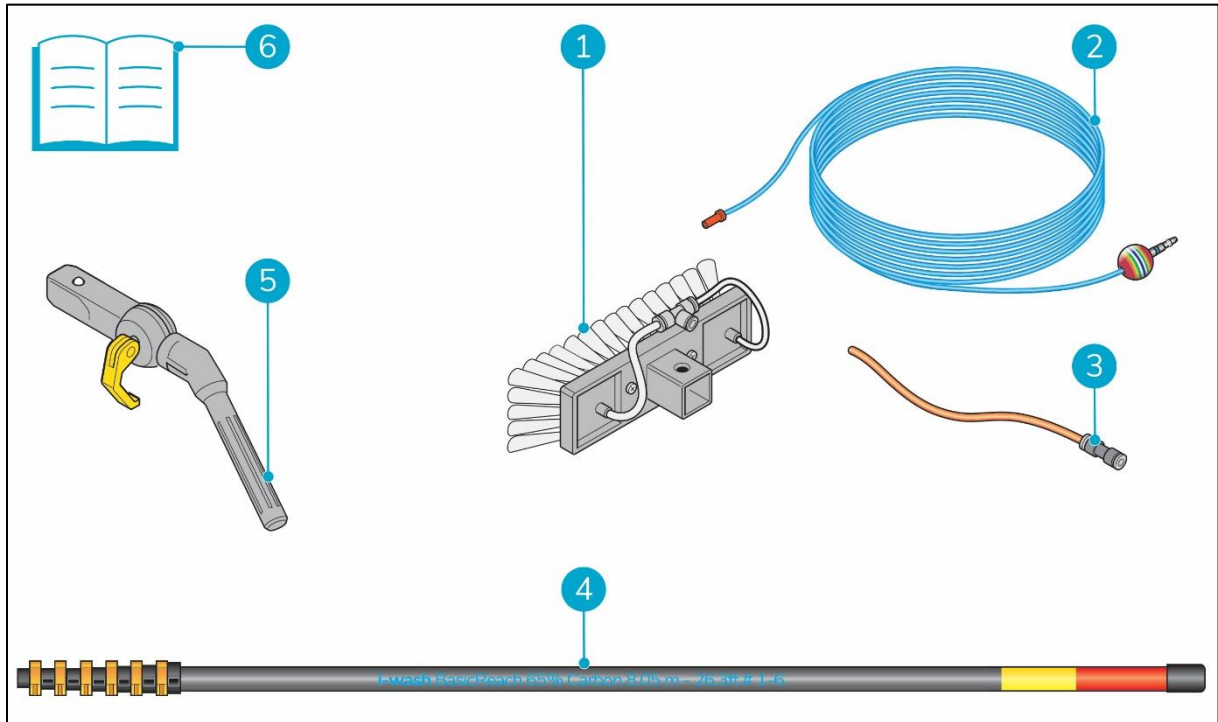


Figure 6

1. 1x 26 cm medium soft brush
2. 1x "all season" pole hose (20 m)
3. 1x hose with push fit connector for gooseneck
4. 1x i-wash Basic Reach
5. 1x quick-lock gooseneck
6. 1x this manual

### 5.2 Assembly

The i-wash Basic reach and the i-wash Pro Reach come completely assembled in one box, no assembly is required.

#### 5.2.1 Assembling the Power Wash®

In order to assemble the Power wash, you also need to purchase the high pressure power handle. It will be delivered in a separate box. For unboxing of the high pressure power handle, please refer to the user manual of the Power Wash.



## 6 Operation

### 6.1 Before you start



#### ATTENTION

Make sure that all connections are secure.

#### 6.1.1 Changing the brush or pad



#### CAUTION

Before installing the brush, always turn off the water supply.

Specific glass cleaning jobs require specific brushes. In the text below you can read how to change the brush.

1. Remove the water tube from the water connector of the brush (Figure 7, pos 2).
2. Push the ball button (Figure 7, pos 1) to release the brush from the gooseneck.
3. Remove the brush (Figure 7, pos 4) from the gooseneck (Figure 7, pos 3).
4. Chose the correct brush for the job.
5. Place the new brush on the gooseneck.
6. Reconnect the water tube.

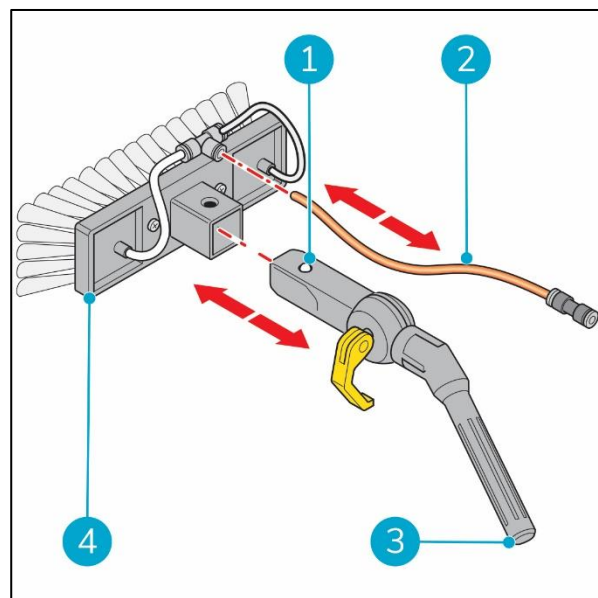


Figure 7

For cleaning smooth painted or coated surfaces it is advised to use a pad. In the text below you can read how to change the pad.

1. Push the ball button (Figure 8, pos 2) to release the pad from the gooseneck.
2. Remove the pad (Figure 8, pos 1) from the gooseneck (Figure 8, pos 3).
3. Chose the correct pad for the job.
4. Place the new pad on the gooseneck.

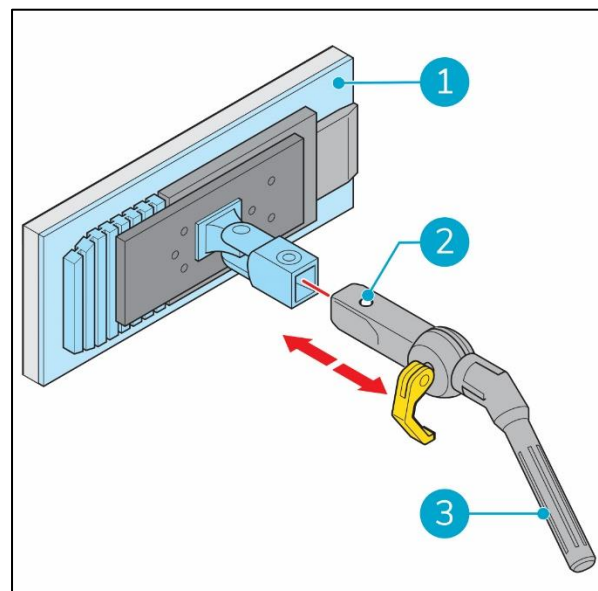


Figure 8



## 6.1.2 Changing the gooseneck



### CAUTION

Before installing or changing the gooseneck, always turn off the water supply.

In order to reach difficult spots to clean, different or multiple goosenecks can be used. In the text below you can read how to change the gooseneck.

1. Remove the brush or pad, perform step 1 to 3 from section 6.1.1.
2. Unlock the yellow clamp of the top tube (Figure 9, pos 2).
3. Pull the gooseneck (Figure 9, pos 1) out of the top tube.
4. Choose the desired gooseneck for the job.
5. Place the new gooseneck in the tube.
6. Lock the yellow clamp (Figure 9, pos 2).
7. Place the brush or pad back.

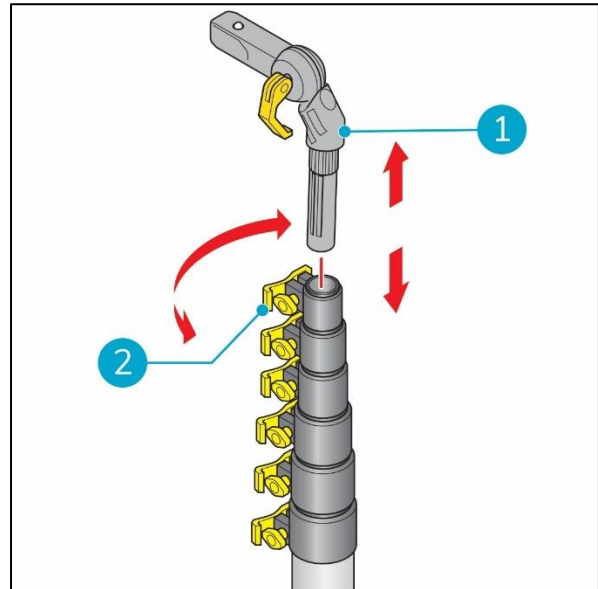


Figure 9



## 6.2 Operation procedure



### WARNING

**DO NOT** fully extend the telescopic tubes. A minimum of 10 cm (3,9 inches) must remain inside each section of the tube for stability, this is the red marked part.



### ATTENTION

- wear safety glasses when operating the i-wash® Basic or Pro Reach;
- wear footwear with an anti-slip sole as a wet floor can get slippery.

1. Connect the pole hose (Figure 10, pos 2) with the water supply hose (Figure 10, pos 1). The soft ball (Figure 10, pos 3) prevents the connection from being damaged.
2. Place the i-wash Basic or Pro Reach against the object that you want to clean.
3. Start the water supply.
4. Start cleaning.

When you are finished with cleaning:

5. Stop the water supply by disconnecting the pole hose from the water supply hose.
6. Stop the water supply.

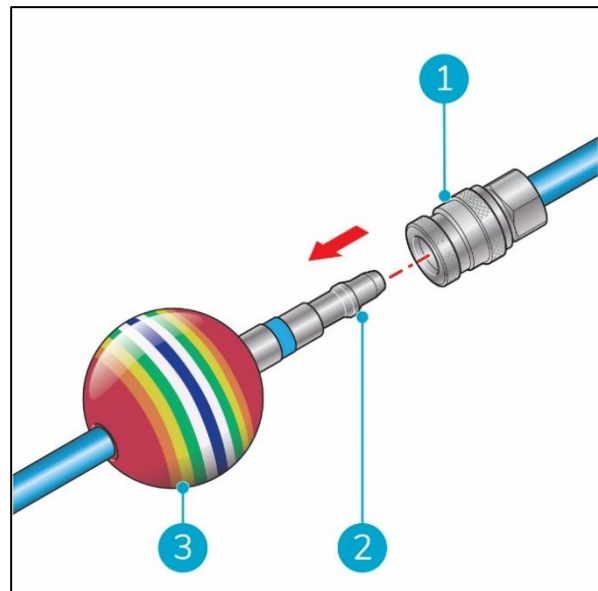


Figure 10

### 6.2.1 Adjusting the length of the tubes

1. Unlock the yellow clip (Figure 11, pos 1) and then pull the tube out (Figure 11, pos 2).
2. Lock the yellow clip to fixate the tube (Figure 11, pos 1), check that the tube cannot move anymore.
3. Repeat this for the amount of tubes to reach the desired working length.

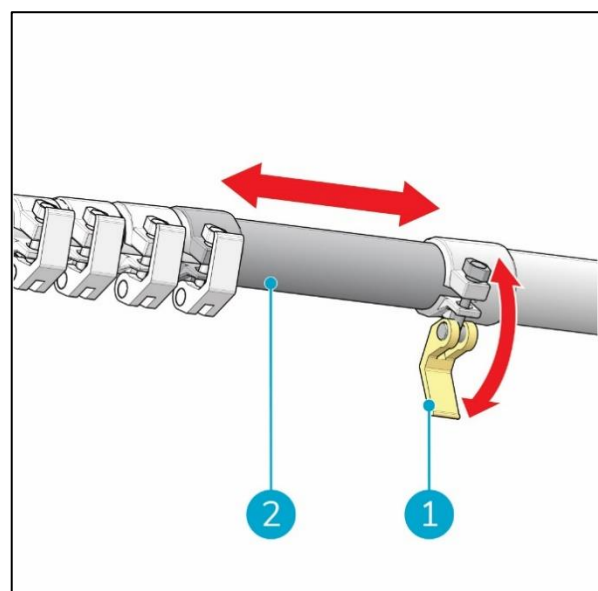


Figure 11





### 6.2.2 Adding extension parts

If you need extra length you can add tube extension parts 1 and 2, see section 1.5.3.

1. Disconnect the water supply hose (Figure 12, pos 3).
2. Remove the soft ball (Figure 12, pos 2) from the tube hose.
3. Remove the protection cover (Figure 12, pos 1).
4. Feed the pole hose through the extension parts (Figure 12, pos 5).
5. Add the extension parts (Figure 12, pos 4).
6. Place the soft ball back on the end of the tube hose.
7. Reconnect the pole hose to the water hose.

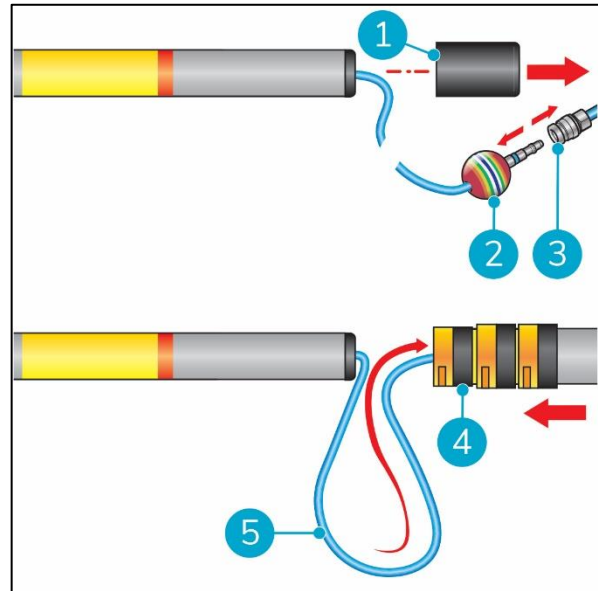


Figure 12

### 6.2.3 Adjusting the working angle of the gooseneck

1. Unlock the yellow clip (Figure 13, pos 1).
2. Adjust the working angle of the gooseneck (Figure 13, pos 2).
3. Lock the yellow clip (Figure 13, pos 1) to fixate the gooseneck. Check that the gooseneck cannot move anymore.

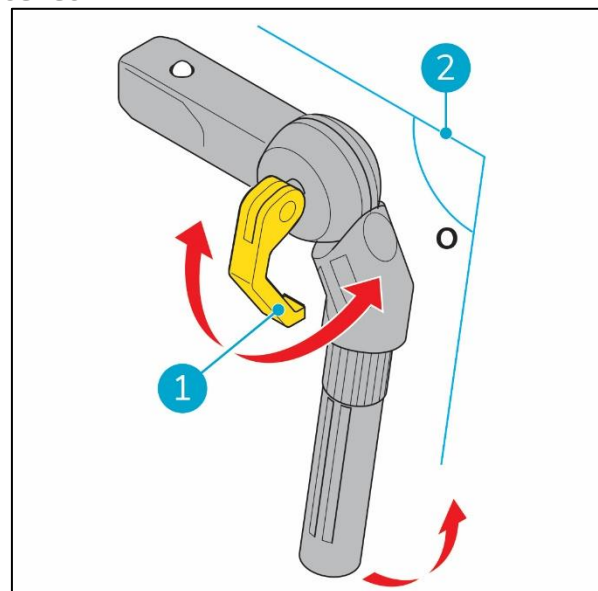


Figure 13

## 6.3 Operation with the high pressure power handle

If you combine the i-wash® Basic or Pro Reach with the high pressure power handle you get the Power wash®, which can be used in combination with a pressure washer. It is used for outdoors high and low pressure cleaning. Please refer to the User Manual of the Power wash for instructions on operation.



## 6.4 Cleaning and storage

- before storing the i-wash® Basic or Pro reach, close the water supply;
- drain the i-wash Basic or Pro reach;
- disconnect any accessory;
- clean the i-wash Basic or Pro reach;
- store the i-wash Basic or Pro reach in a cool, dark area.



## 7 Maintenance



### CAUTION

Always close the water supply before starting with maintenance.

### 7.1 Adjusting the yellow clamps

Approximately once per month, depending from the work intensity, you need to adjust the tension of the yellow clamps. This is to keep the correct tension, so the tubes stay fixated when you lock the clamp.

1. Unlock the yellow clamp (Figure 14, pos 2).
2. Turn the yellow knob at the side of the clamp (Figure 14, pos 1) clockwise to strengthen, or anti-clockwise to loosen the tightness of the clamp.
3. Lock the yellow clamp.

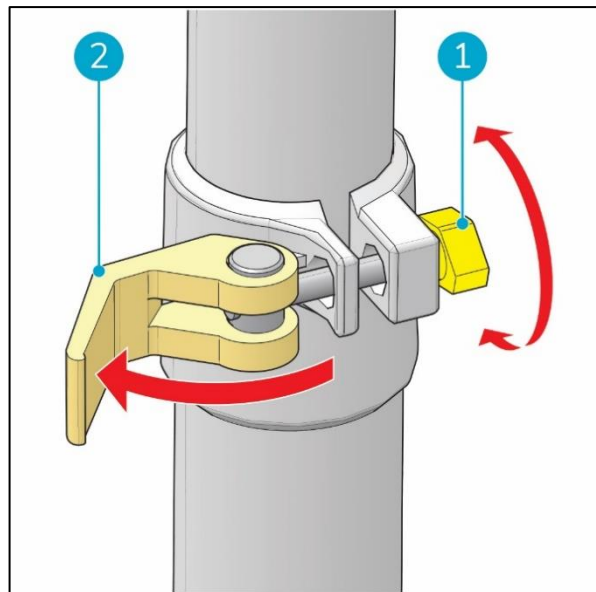


Figure 14



### ATTENTION

All other maintenance and service activities must be done exclusively by skilled workers using only i-team Global spare parts. The manufacturer is not responsible or liable for any loss or damage arising from improper service or service done by unskilled workers.



## 8 Troubleshooting

<b>Problem</b>	<b>Cause</b>	<b>Solution</b>
<b>Connection leaks</b>	Loose connection	Tighten connection.
<b>i-wash® Basic or Pro Reach does not spray</b>	No water supply	Check that the water supply connection is correctly connected.
	i-wash Basic or Pro Reach is clogged	Flush the hoses with water and check the pencil jet or fan sprayers of the brush for dirt.
<b>Carbon from the tubes wears out</b>	Intensive use	Stick electrical tape on worn out spots.
<b>Yellow clamp breaks</b>	Intensive use	Glue with two-component adhesive.
		Replace the yellow clamp.
<b>Carbon tube gets stuck</b>	Dirt or loose carbon fibers	Spray WD-40 between the tubes, after the tubes get unstuck, carefully clean them.
<b>Tube breaks</b>	Tube has been extended too far out or working angle too big	Replace the tube.



## 9 Decommissioning and disposal



### ATTENTION

It is the responsibility of the i-wash<sup>®</sup> Basic or Pro Reach owner to dispose of the product responsibly.

At the end-of-life the i-wash Basic or Pro Reach still contains valuable resources and needs to be disposed of according to your local laws and regulations regarding recycling of electrical equipment.



Before disposal please:

1. Drain the i-wash Basic or Pro Reach.
2. Remove all loose components like the brush and the gooseneck.
3. Dispose all items according to your local laws and regulations.

### TIP:

**Contact your local i-team partner to explore all possibilities of returning components at the end-of-life of your i-wash Basic or Pro Reach.**



This document is part of the technical file of the i-wash® Basic and Pro Reach and will be available upon request.